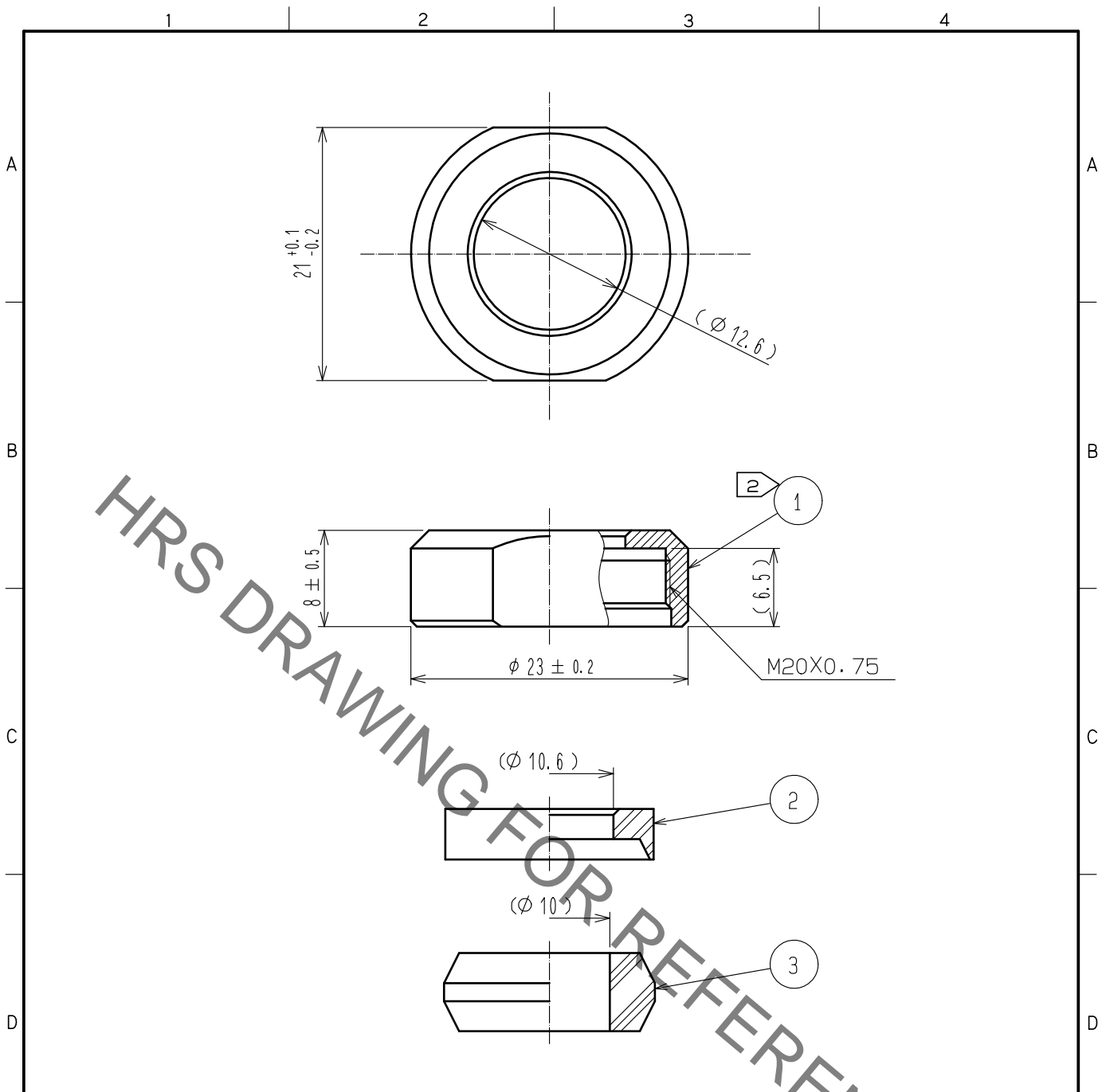


Aug.1.2022 Copyright 2022 HIROSE ELECTRIC CO., LTD. All Rights Reserved.  
 In case of consideration for using Automotive equipment / device which demand high reliability, kindly contact our sales window correspondents.



HRS DRAWING FOR REFERENCE

- Notes
- 1 This product is delivered disassembled.
  - 2 The recommended clamp torque of REF. No. ① to be 3 to 3.5N·m  
 Loctite 263, HENKEL JAPAN or equivalent is recommended  
 to prevent REF. No. ① from loosening.
  - 3 The cable pull and twisting strength and other characteristics  
 may differ, depending on the cable structure.  
 Please confirm before the use.

2	PPS	(Black) UL94V-0					
1	Brass	Black chrome plating	3	Acrylonitrile butadiene rubber (Gray)			
NO.	MATERIAL	FINISH . REMARKS	NO.	MATERIAL	FINISH . REMARKS		
UNITS mm		SCALE 2 : 1	COUNT 	DESCRIPTION OF REVISIONS	DESIGNED	CHECKED	DATE
HIROSE ELECTRIC CO., LTD.		APPROVED :HY. KOBAYASHI	15.08.27	DRAWING NO.	EDC-110489-71-00		
		CHECKED :HY. KOBAYASHI	15.08.27	PART NO.	JR16WCCA-10(71)		
		DESIGNED :HY. KISHI	15.08.27	CODE NO.	CL114-2079-2-71		
		DRAWN :HY. KISHI	15.08.27				