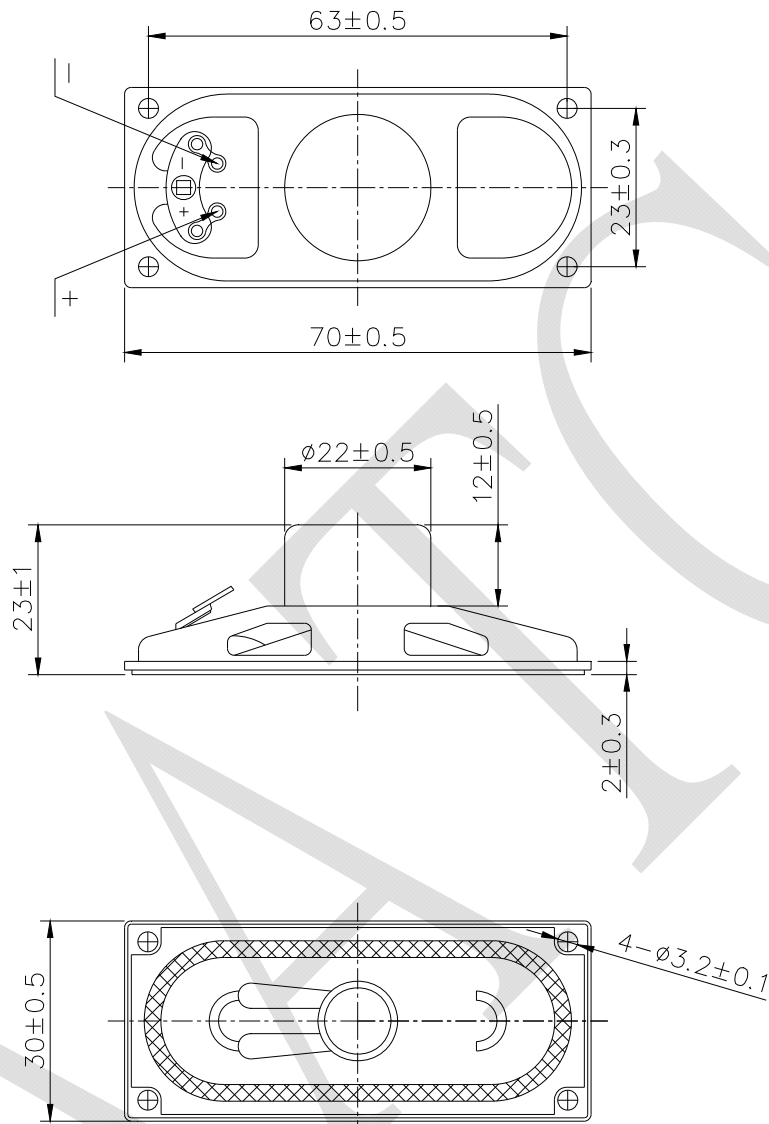


1. SPECIFICATION

AK-703008BC-2-LF

ITEM		SPECIFICATIONS	
01	Type	Dynamic speaker	
02	Dimension	External diameter 70 x 30 mm	
03	Rated Input Power	2.0 W	
04	Max. Input Power	3.0 W for 1 minute	
05	Impedance	$8\Omega \pm 15\%$ at 1 KHz 1V	
06	Resonance Frequency (Fo)	300 Hz \pm 20% at Fo, 1V	
07	Sound pressure level	80 dB(W/M) \pm 3 dB	at AVE 0.6, 0.8, 1.0, 1.5 KHz.
		103 dB(2.0W/0.1M) \pm 3 dB	
08	Frequency Range	Fo – 20 K Hz	
09	Total Harmonics Distortion	Max 10 % at 1 KHz, 1.5V.	
10	Voice Coil	Diameter 13.5 mm	
11	Magnet	Rare earth permanent (NdFeB) magnet Φ 12.5 x 2.5 mm	
12	Weight	35 g \pm 2 g	
13	Appearance	Should not exist any obstacle to be harmful to normal operation; damages, cracks, rusts and distortions, etc.	
14	Operation Test	Must be normal at program source 2.0 W	
15	Buzz, Rattle, etc.	Should not be audible at 4.0 V sine wave between Fo to 20KHz	
16	Polarity	When positive voltage is applied to the terminal marked (+), diaphragm should move to the front.	
17	Terminal Strength	Capable of withstand 1kg load for 15 seconds without resulting in any damage or rejection.	
18	Temperature	Operating temperature: -20°C to +60°C	
		Storage temperature: -30°C to +70°C	

REV NO.	REVISION NOTE	APPROVAL	DATE
---------	---------------	----------	------



RoHS

TITLE: DYNAMIC SPEAKER		DRAWN: <i>Zack</i> 2015/07/13	SCALE: 2:1	SHEET: 1:1
PART NO. AK-703008BC-2-LF		DESIGNED: R&D OF AAT	UNITS: mm	
DWC NO. DTS-1365		CHECKED:	TOLERANCE ± 0.5	
		APPROVAL:	UNLESS OTHERWISE SPECIFIED:	
		MATERIAL: *****	ONE PLACE DECIMAL ± ***	
REV 2		TWO PLACE DECIMAL ± ***		THREE PLACE DECIMAL ± ***



ADVANCED ACOUSTIC TECHNOLOGY CORPORATION

For more information, please contact AATC.

AATC