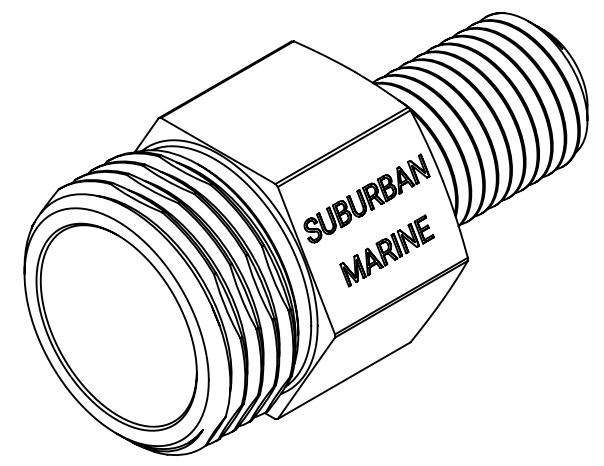
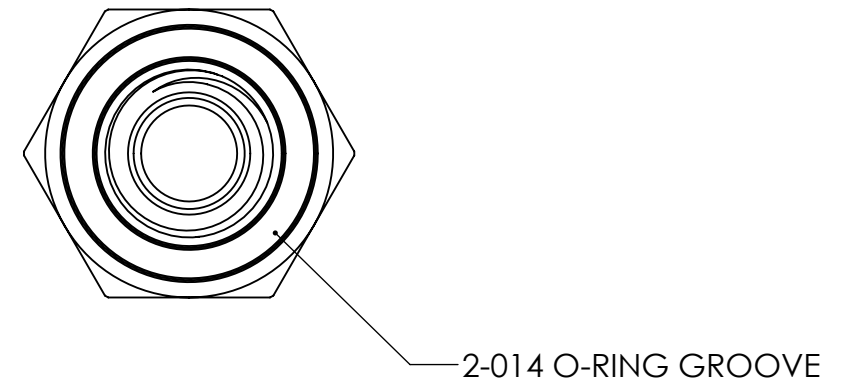
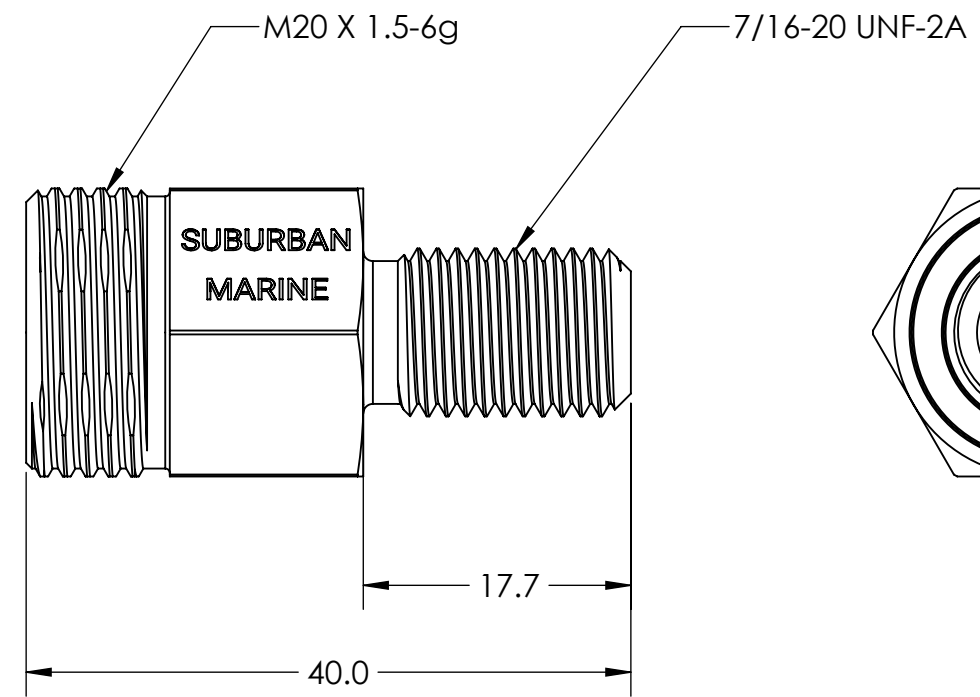
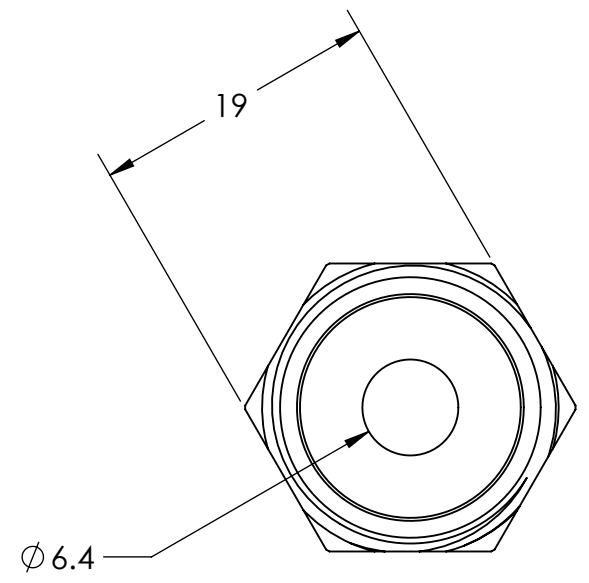


COPYRIGHT 2021 © SUBURBAN MARINE  
 THE INFORMATION CONTAINED IN THIS DRAWING IS THE  
 SOLE PROPERTY OF SUBURBAN MARINE, INC. ANY  
 REPRODUCTION IN PART OR AS A WHOLE WITHOUT THE  
 WRITTEN PERMISSION OF SUBURBAN MARINE, INC IS  
 PROHIBITED.

REVISIONS			
ZONE	REV.	DESCRIPTION	DATE
	A	INITIAL RELEASE	3/19/2021



UNLESS OTHERWISE SPECIFIED:	NAME	DATE
DIMENSIONS ARE IN mm	DRAWN	MM 20210107
ANGULAR ± 1°	CHECKED	
X ± 1.0mm	APPROVED	
.X ± 0.4mm	APPROVED	
.XX ± 0.1mm		
INTERPRET GEOMETRIC TOLERANCING PER: ISO 2768- mK	THIRD ANGLE PROJECTION:	
MATERIAL NONE		
FINISH NONE		
WEIGHT:	DO NOT SCALE DRAWING	



TITLE:  
**BULKHEAD BACKSHELL, SIZE  
 A, 7/16-20 THREAD**

SIZE	DWG. NO.	REV
<b>B</b>	<b>BM-A-BH-A-X</b>	<b>A</b>
SCALE: 2:1		SHEET 1 OF 1