

**Notes:**

1. Material and Finish:

- Coupler Ring: Zinc Die-Cast, Nickel Plated
- Plug Housing: Zinc Die-Cast, Nickel Plated
- Cable Gland: Brass, Nickel Plated
- Cable Gland Rubber Ring: NBR, Color: Black
- Cable Fitting: PA (Black), UL94 V-0
- Interfacial Seal: Silicone, Color: White

(f) Duplex LC Connector

- Housing: PEI , UL94 V-0,
- (e) Color: **SM Blue/MM Beige/APC SM Green**
- Inner Sub Assembly: Zirconia, Metal and PTFE
- Crimp Barrel: Brass, Nickel Plated
- Ferrule: Brass, Nickel Plated
- Dust Cap: PC, Color: White

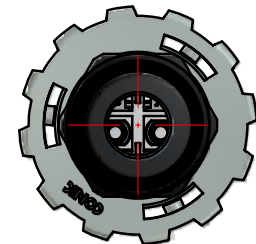
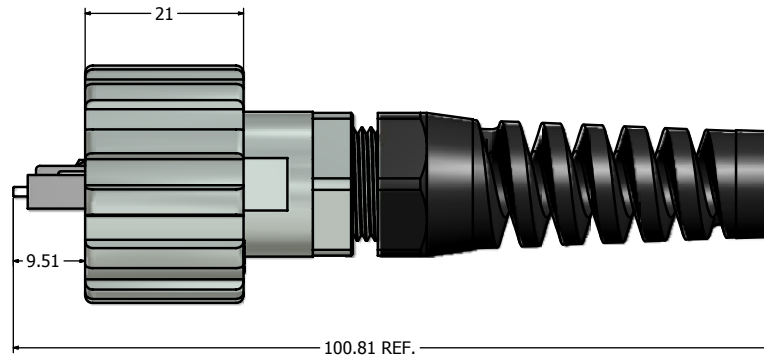
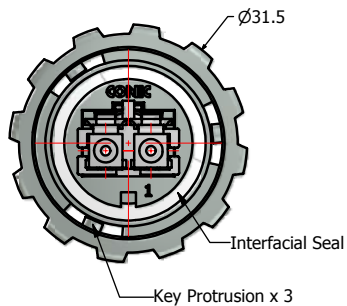
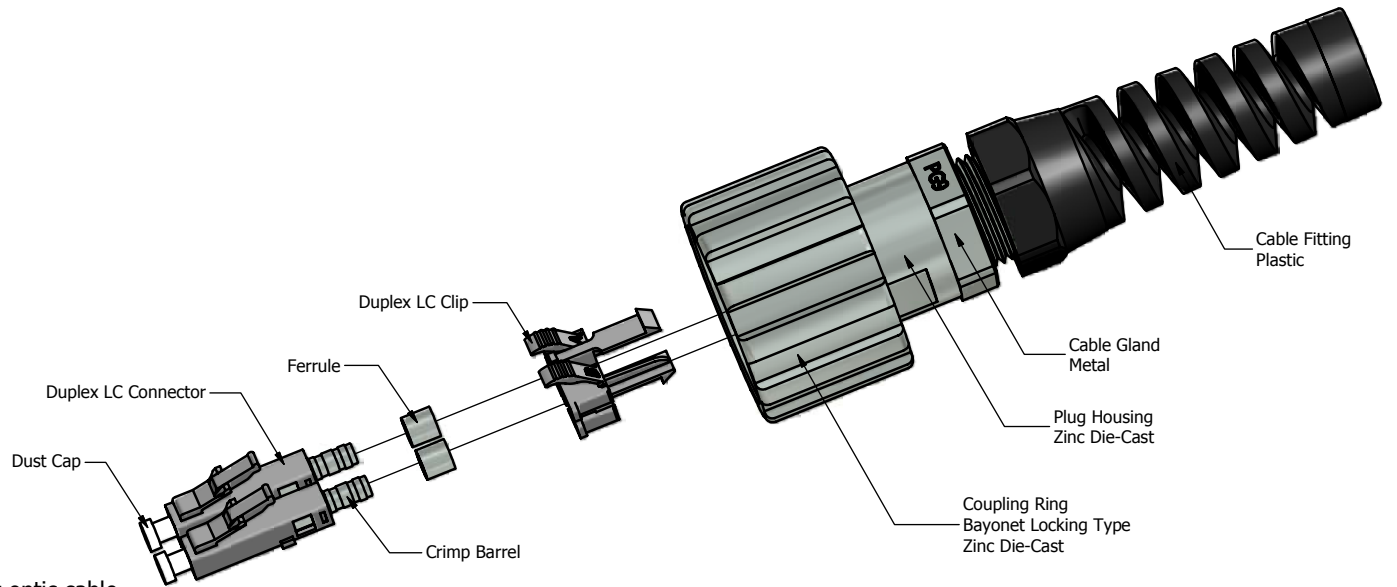
(c) Duplex LC Clip: PC, Color: Black

- Operating Temperature: -40°C to +85°C

2. IP67 rated when covered or fully mated with the appropriate mating connector

(d) 3. Accept 4.5mm to 8.0mm outside diameter fiber optic cable

4. RoHS compliant



Description	Part Number
Single Mode (SM)	17-300080
Multi Mode (MM)	17-300090
(e) APC Single Mode (APC SM)	17-300120

Directive 2002/95/EC RoHS Compliant

THIS DRAWING MAY NOT BE COPIED, OR REPRODUCED IN ANY WAY AND MAY NOT BE PASSED ON TO A THIRD PARTY WITHOUT WRITTEN PERMISSION. OWNERSHIP AND COPYRIGHT OF CONEC CORPORATION. <b>DOT NOT ALTER CAD DRAWING BY HAND</b>	Customer:			Tolerance Unless otherwise specified			Scale:	Dim. in mm	
	Name	Title	Approval Date	0 PLC ±0.30	1 PLC ±0.20		Autodesk Inventor	Material: See Notes	
				2010	Date	Name	Title: IP67 Industrial Duplex LC Plug Kit		
	f	July/12/2011	Vincent Ke	Draw.	Jun. 03	Vincent Ke	Nickel Plated Zinc Die-Cast Version		
	e	Nov/22/2010	Vincent Ke	Appd.	Jun. 03	J. Chaudry	Drawing No.: 17K1A172		
d	Nov/04/2010	Vincent ke	Norm			Part No.: SEE PART NUMBER TABLE			
c	Jul/19/2010	Vincent ke	D-old			Drawing No.: 17K1A172			
b	Jun/18/2010	Vincent ke				Part No.: SEE PART NUMBER TABLE			
a	original					Drawing No.: 17K1A172			
Rev.	Changes	Date	Name			Sheet 1/1			