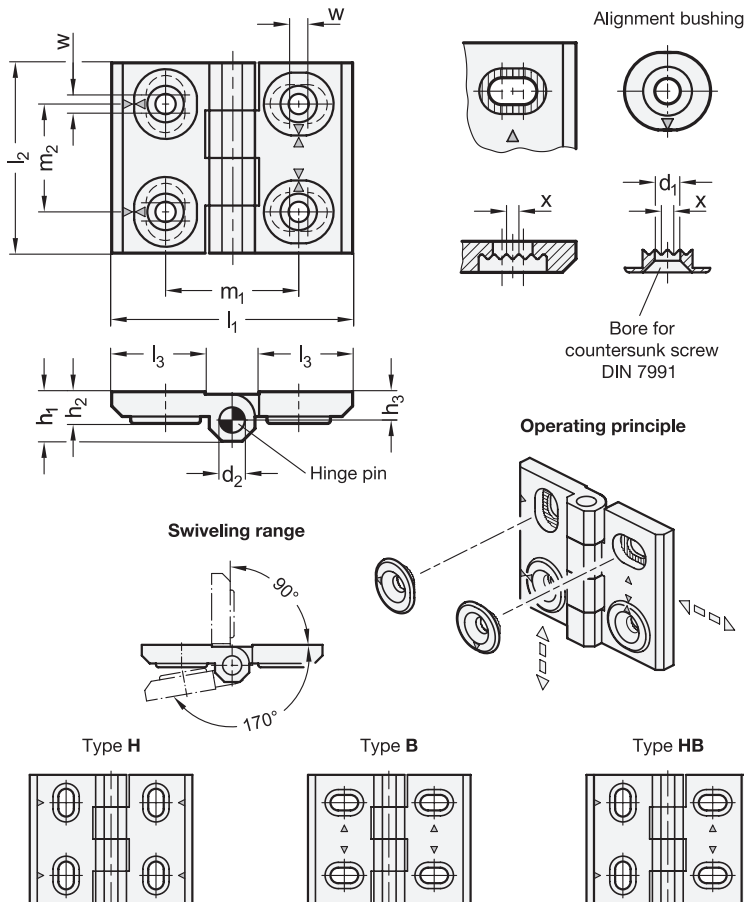


# GN 127

Zinc Die-Cast / Stainless Steel

# Hinges

Adjustable, with Alignment Bushings



### 4 Type

- H** Vertical slots
- B** Horizontal slots
- HB** Horizontal and vertical slots

## Metric table

Dimensions in: millimeters - inches

<sup>2</sup> l <sub>1</sub>	<sup>3</sup> l <sub>2</sub>	d <sub>1</sub>	d <sub>2</sub>	h <sub>1</sub>	h <sub>2</sub>	h <sub>3</sub>	l <sub>3</sub>	m <sub>1</sub>	m <sub>2</sub>	w	Adjustable range	
											x	
											Material ZD	Material A4
52 2.05	40 1.57	4.5 0.18	4 0.16	9.5 0.37	6 0.24	5.5 0.22	22 0.87	30 1.18	22 0.87	2 0.08	0.5 0.02	1 0.04
64 2.52	50 1.97	5.5 0.22	6 0.24	11.5 0.45	7 0.28	6.5 0.26	28 1.10	37 1.46	27 1.06	3 0.12	0.75 0.03	1.5 0.06
76 2.99	60 2.36	6.5 0.26	8 0.31	15 0.59	9 0.35	8.5 0.33	33.5 1.32	42 1.65	34 1.34	4 0.16	1 0.04	2 0.08

## Specification

- Body  
Zinc die-cast **ZD**  
Powder coated  
Black, RAL 9005, textured finish **●SW**  
Silver, RAL 9006, textured finish **●SR**
- Body  
Stainless steel AISI 316 **A4**  
Matte shot-blasted finish **GS**
- Pin  
Stainless steel AISI 316Ti
- Load Rating Information → page 2088
- Stainless Steel Characteristics → page 2143
- RoHS compliant

## Information

With GN 127 hinges, doors and flaps can be positioned form-fit and in a finely adjusted manner by moving the alignment bushings. In this way, door gaps can be readjusted and manufacturing tolerances can be compensated. The arrowheads mark the middle of the adjustable range w.

The stainless steel version is suitable for applications in particularly aggressive environments.

### see also...

- List of Hinge Types → page 1324
- Product Family Standard Parts for Profile Systems → page 18
- Hinges GN 238 (Zinc Die-Cast) → page 1402
- T-Nut Assemblies GN 965 / GN 968 → page 2048 / 2058

### How to order

**GN 127-ZD-64-50-HB-SR**

<sup>1</sup>	Material
<sup>2</sup>	Width l <sub>1</sub>
<sup>3</sup>	Length l <sub>2</sub>
<sup>4</sup>	Type
<sup>5</sup>	Color