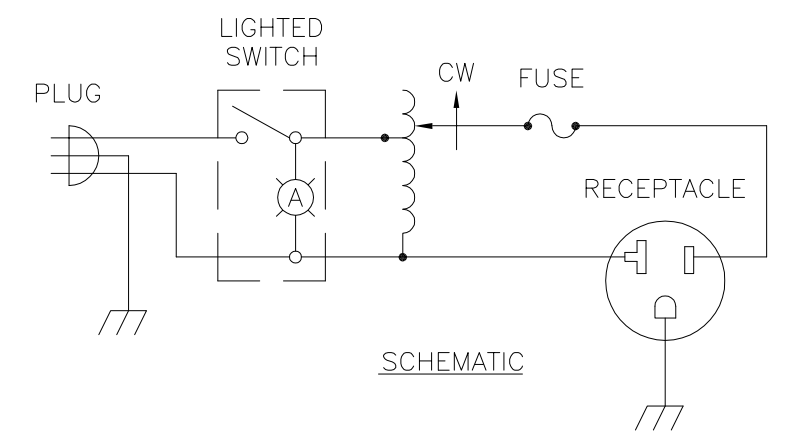
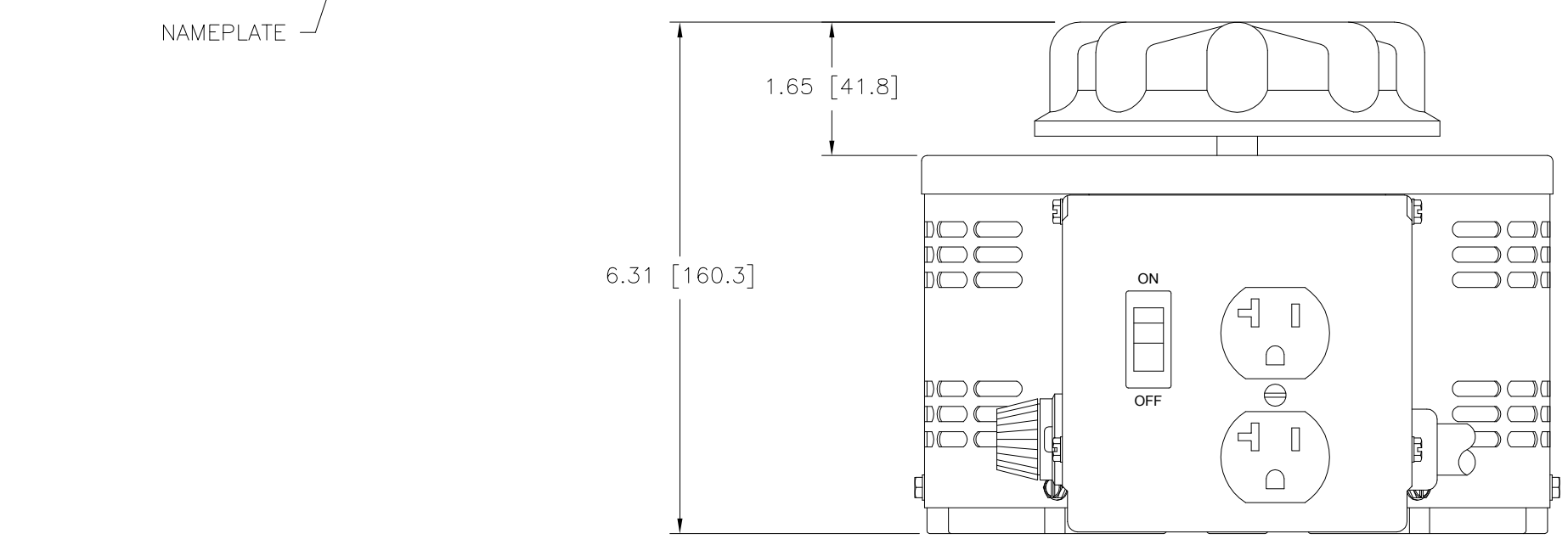
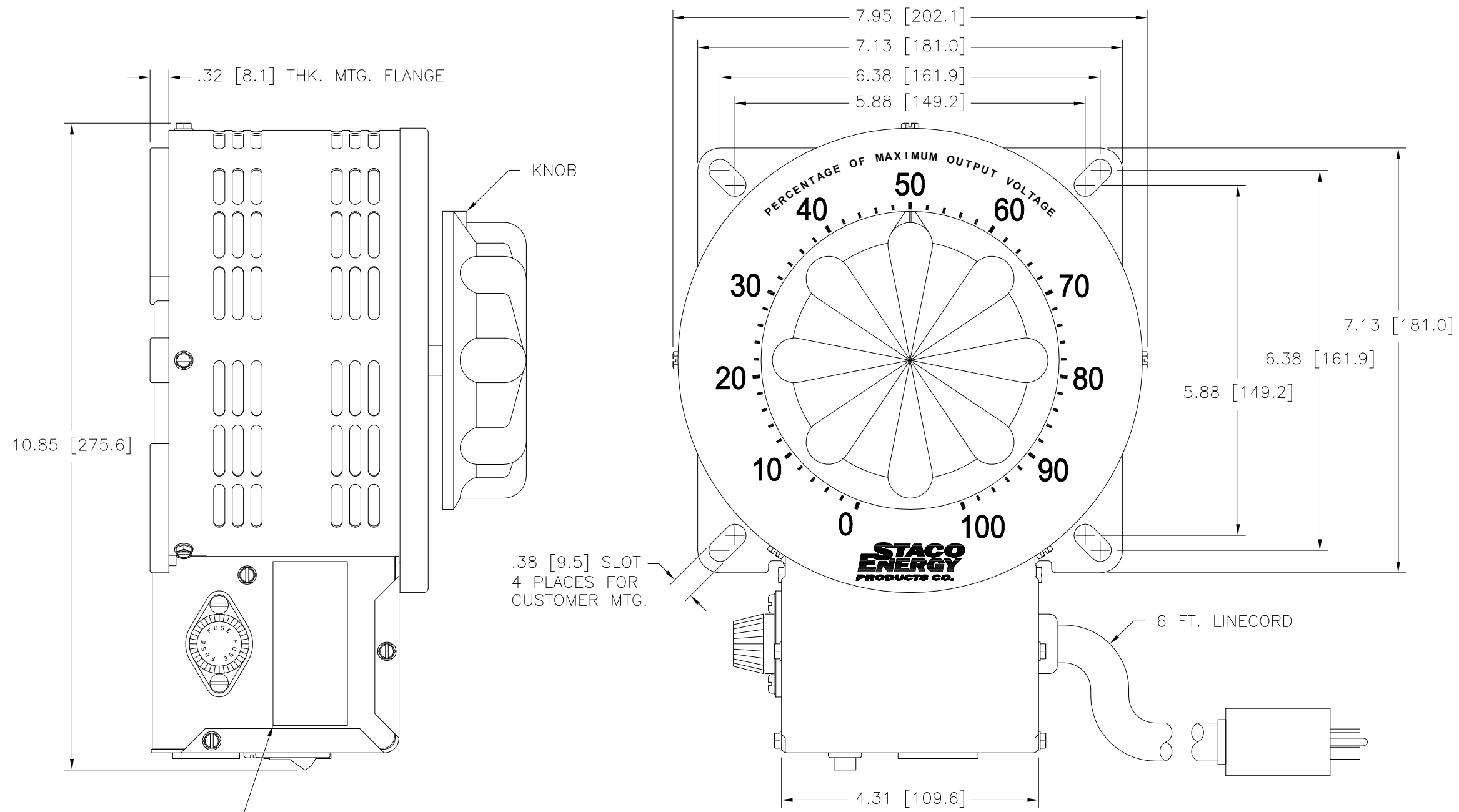


DWG. NO.	031-5070		
REVISIONS			
SYM.	E.C.N.	DATE	APVD.
A	25144	6/10/03	
REVISED & UPDATED			
B	25435	8/26/04	
UPDATED SILKSCREEN			



SPECIFICATIONS					
WIRING	INPUT		OUTPUT		
	VOLTS	HERTZ	VOLTS	CONSTANT CURRENT LOAD	
SINGLE PHASE	120	50/60	0-140	MAX. AMPS	MAX. KVA
				22	3.08

UNLESS OTHERWISE SPECIFIED, TOLERANCE IS ±		UNITS		TITLE: SPEC. CONTROL DRAWING	
DECIMALS	HOLES	ANGLES	DRAFT	SCALE DWG.	
.XX	.0000	.01	1°	DRAWN BY: S.A. SMITH	
.005				DATE: 5/22/96	FIRST USED ON: 3PN2210B
MATERIAL:			ALL DIMENSIONS APPLY AFTER PLATING	CAGE CODE: 83008	DO NOT SCALE DWG.
The information and design disclosed herein was originated by and is the property of STACO ENERGY PRODUCTS CO., which reserves all patent, proprietary, design, manufacturing, reproduction, use and sale rights thereto, and to any article disclosed therein, except to the extent rights are expressly granted to others. The foregoing does not apply to vendor proprietary parts.					
CHECKER:	DATE:	WEIGHT APPROX. 24 LBS	SCALE: 1=1	SHEET 1 of 1	DWG. NO. 031-5070

