

# Features

## LED DRIVER

- 35W Class II AC-DC LED Power Supply
- 500, 700, 1000, 1400mA or 2500mA Output
- Active Power Factor Correction >0.90
- Efficiency up to 83%
- IP67 Certified
- 3 in 1 Dimming

### Selection Guide

Part Number	Rated Power (W)	Output Current (mA)	Output Voltage (VDC)	Efficiency (typ.) (%)
RACD35-500A	28.5	500	48 - 57	82
RACD35-700A	33,6	700	36 - 48	83
RACD35-1000A	36	1000	24 - 36	82
RACD35-1400A	33.6	1400	12 - 24	81
RACD35-2500A	30	2500	9 - 12	80

### Specifications (measured at 240VAC and 25°C ambient temperature)

Input Voltage Range	90-305 VAC	
Input Frequency Range	47-63Hz	
Power Factor	Full Load, 277VAC	>0.90
	Full Load, 230VAC	>0.95
	Full Load, 110VAC	>0.98
AC Input Current	110VAC	0.5A
	230VAC	0.3A
Inrush Current (Max.)	264VAC	Cold Start 60A
Leakage Current	230VAC	<0.25mA
Output Current Accuracy (includes Line Regulation, Load Regulation and set-up tolerance)	±5%	
Isolation Voltage	3.75kVAC / 1minute	
Short Circuit Protection	Hiccup mode & recovers after fault condition removed	
Over Voltage Protection	115% - 135% Output Voltage	Latch Mode
Over Temperature Protection	Thermistor	105°C ± 10°C
	Type	Latch Mode
Dimming Control:	PWM	1<Adj<10V(500Hz - 3kHz)
	Analogue	control by external voltage 1-10VDC
	Resistance	10K - 100KΩ
Set Up Time	Full Load, 230VAC	2 sec
Storage Humidity	10% - 95% RH	
Operating Humidity	20% - 95% RH Non-Condensing	
Weight	384g	
Dimension (LxBxH)	110 x 73.5 x 33mm	
Operating Temperature Range (free air convection - 10LFM)	Full load	-20°C to +50°C
	Case Temperature	85°C ± 10°C
Storage Temperature	-40°C to +80°C	
IP Rating	IP67	
Isolation Resistance	500VDC	100MΩ
MTBF (+25°C)	using MIL-HDBK 217F	200 x 10 <sup>3</sup> hours

continued on next page

**LIGHTLINE**  
AC/DC-Converter  
with 5 year Warranty

**RECOM**

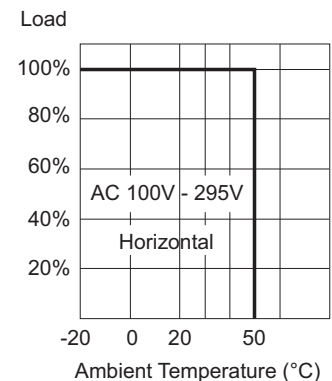
## 35 Watt PFC Single Output



**UL8750 Certified**  
**EN61347 Certified**  
**EN55015 Certified**  
**EN61547 Certified**

# RACD35-A

## Derating-Graph (Ambient Temperature)



**Note:**

All LED Drivers may not be used without a load. They must be switched on the primary side only. Noncompliance may damage the LED or reduce its lifetime.

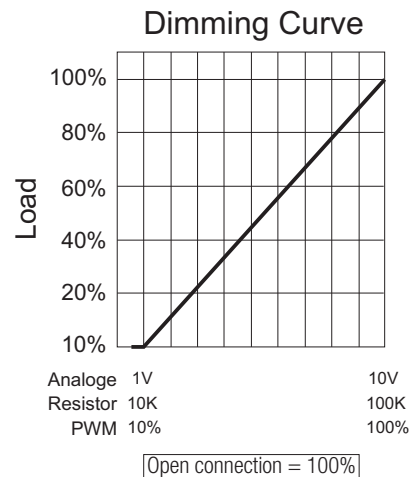
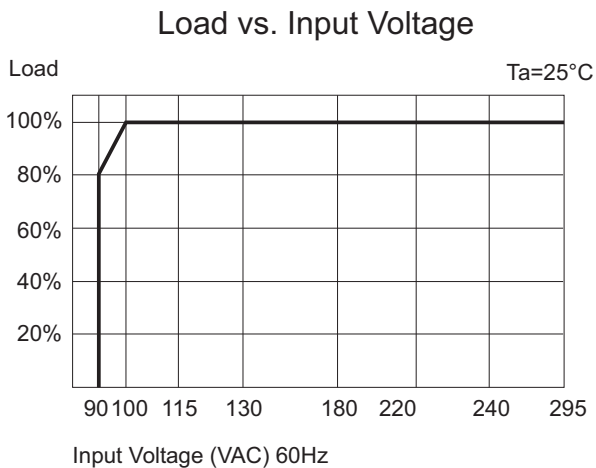
**Refer to Application Notes**

**Specifications** (measured at 240VAC and 25°C ambient temperature)

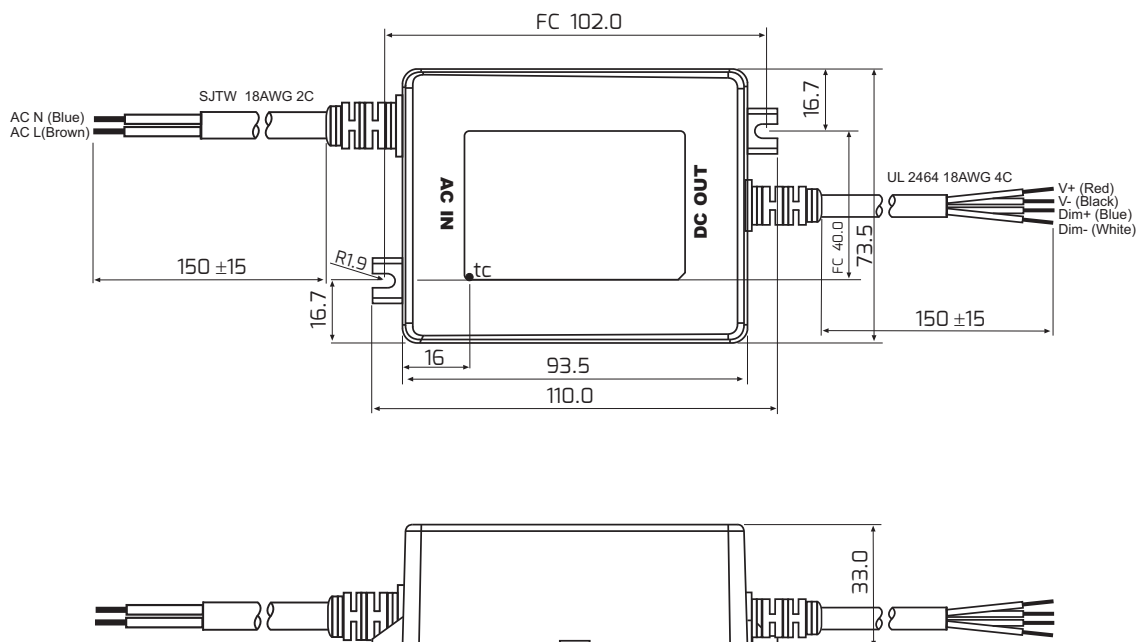
**Certifications:**

UL Standards	Report: E340696	UL8750 (based on) UL1310
Safety Standards	Report: P201403013	EN61347-1; EN61347-2-13
Emission	Report: HA130831-SACE	EN55015, Class B IEC61000-3-2 IEC61000-3-3
FCC	Report: HA130831-SAFD	Part 15, Class B
EMC	Report: HA130831-SACE	IEC61000-4-2, 3, 4, 5, 6, 8, 11
Immunity		EN61547
IP67	Report: 14022002	IEC/EN 60598-1 IEC/EN 60529

**Technical Characteristic**



**Package Style & Pinning**



The product information and specifications are subject to change without prior notice. All products are designed for non-safety critical commercial and industrial applications. The Buyer agrees to implement safeguards that anticipate the consequences of any failures that might cause harm, loss of life and/or damage property.