



# CNX722 Series 0.866" (22mm) Ruggedized LED Panel Mount Indicator



Ruggedized CNX722 Series with built-in LED offers fast, easy installation in harsh environments.



## Applications

- Industrial Machinery
- Transportation Dashboards
- Instrument Panels
- Control Cabinets
- Safety Applications
- Disinfection and Sterilization
- Switching Stations
- Slot, Gaming and Vending Machines
- Outdoor Signs
- Military Aircraft

## Key Features

- For panel hole diameter: 0.866" (22mm)
- Designed for extreme harsh and outdoor environments.
- Variety of connection options for fast, easy installation.
- Built-in LED can be used with FlexVolt™ (5 to 28 VDC) or 120VAC circuits
- Fast pitch threads ease assembly, requiring only one turn.
- Nut assembly by finger-tightening or with 1 inch hex key.
- RoHS and REACH Compliant.
- Outdoor visibility in direct sunlight.
- Available in six solid colors (red, green, white, blue, soft yellow and yellow).
- Wide Viewing Angle
- Resistant to shock and vibration.
- Optional bezel available in many colors
- Moisture sealed, IP67, protected from total dust ingress and withstanding water immersion between 15 cm and 1 meter for 30 minutes.
- Lead wire options with custom wire length available.
- Other colors (single and bicolor) are available upon request.

## Ordering Data

The CNX722 Series is available in a range of standard features and options. To specify your Panel Mount Indicator, select one option from each column.

LED Color		Voltage		Termination Style	
CNX722C					
CNX722C: Colored Body					
200	Red	FV	5-28VDC	B*	Screw Block
400*	Soft Yellow			W	Wire Leads
401	Yellow			T	Quick Disconnect/ Terminals
500	Green				
600	Blue				
900	White				
		120	120VAC		

Example:  
CNX722C401120T  
Yellow  
120V  
Quick Disconnect



\* Not Available for the 120VAC Version

## Accessories

Optional sealed bezel: BZL722-□

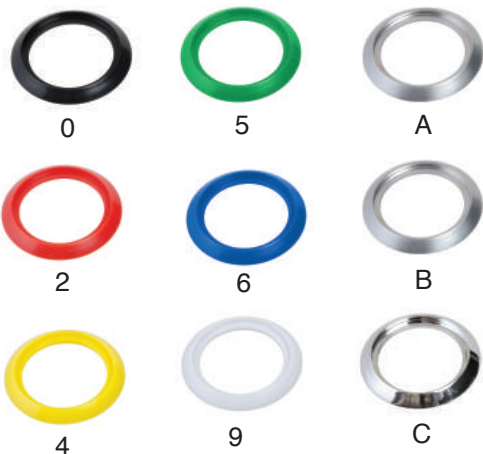
Sealed Bezel IP67

- Material - either plastic or metal
- For indoor and outdoor applications, protects against falling dirt. Also protects against water or oil and the effects of ice formation.

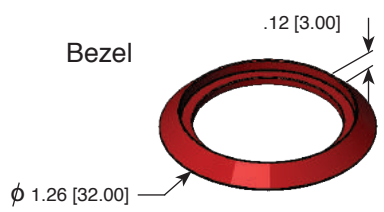
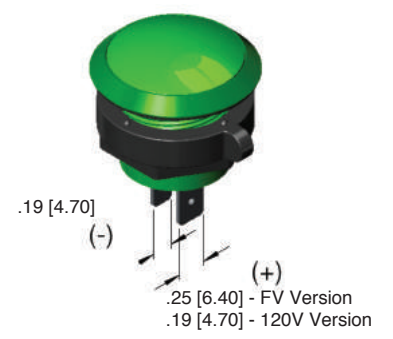
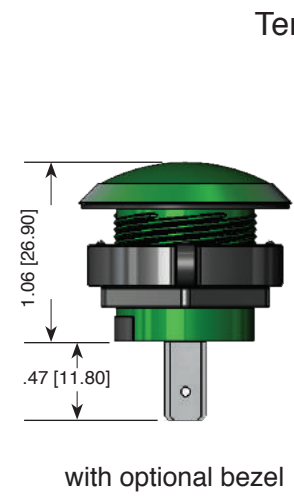
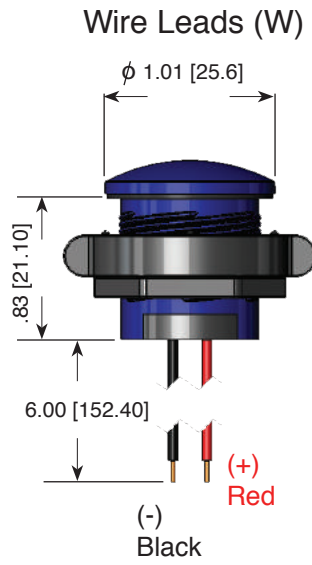
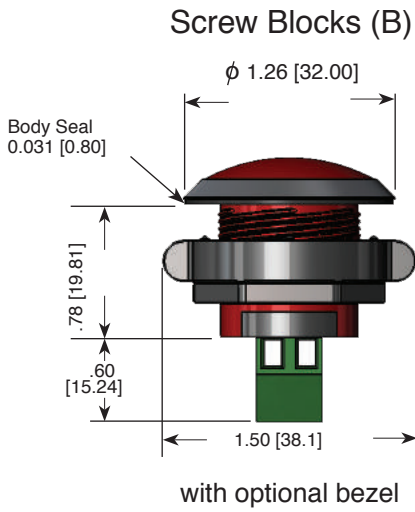
moisture seal	EPDM
bezel-plastic	ABS, UL 94-HB
bezel-metal	aluminum alloy

Bezel Color		Material
□	color	
0	black	plastic
2	red	plastic
4	yellow	plastic
5	green	plastic
6	blue	plastic
9	white	plastic
A	actual aluminum	metal
B	brushed aluminum	plastic
C	chrome	plastic

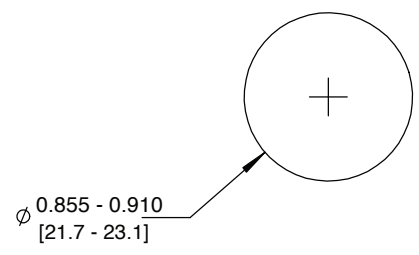
Example:  
CNX722C900FVW  
White  
with BZL722-A  
Actual Aluminum  
Bezel



# Product Dimensions



## Recommended Mounting Hole



All Dimensions in inches [mm]

## Product Specifications

Flex Voltage Version:

LED output		
LED color	Luminous intensity (mcd)	I (mA)
red	1300-2700	20
soft yellow	80-400	20
yellow	450-1120	20
green	1000-1400	20
blue	280-710	20
white	1300-1800	20

120VAC Version:

LED output		
LED color	Luminous intensity typ. (mcd)	I (mA)
red	550	8
yellow	245	8
green	924	8
blue	67	8
white	644	8

### Installation Specification

mounting hole	0.855-910" (21.7-23.1mm)
panel thickness	Up to .300" (7.6mm)
spacing	minimum 1.5" center to center
retainer width	1.50" (38.1 mm)

### Operating parameters

operating temperature	-40°F (-40°C) to 176°F (80°C)
-----------------------	----------------------------------

### Materials

body	polycarbonate, UL94-V2
retaining nut	PBT/Glass Filled, UL94-V0
wire	22 AWG - Black/Red** 18 AWG - Black***
lens	polycarbonate, UL94-V2
moisture seal	EPDM

\*\* Flex Voltage Version

\*\*\* 120 VAC Version

## Compliance and Approvals

