

# 1, 2 and 3 Pole Breakers 10–60 AMP

## HCB Series



### Specifications

#### Line and Load Connections

10–60 ampere, one-, two- and three-pole reversible lugs

#### Unit Weight

1P .310 lb (4.96 oz)  
2P .620 lb (9.92 oz)  
3P .960 lb (15.36 oz)

#### Power Pole Terminations

Aluminum box lug

#### Wire Size

Box Lug 14-2

#### Recommended Tightening Torque

Box lug: 45 in. lbs

#### Quick Connects (optional)

Power terminals:  
Quad .250" QC

Molded case circuit breakers for use in residential and commercial applications. Tested and listed according to UL Standard 489 and CSA Standard C22.2 No. 5-02 for molded case circuit breakers and enclosures.

## Features

- Unit-mounted (lug/lug) thermal-magnetic circuit breakers
- Can manually open a circuit
- Automatically open a circuit under overload or short circuit
- Feature common tripping of all poles
- Can be flush-, surface-, or DIN rail-mounted
- Has lugs at both ends (cable-in/cable-out construction)
- Operate in any position
- Tested, UL Listed, and CSA certified

We can custom engineer a solution to meet any need. Just ask.

815.626.5170 | [HartlandControls.com](http://HartlandControls.com)

# 1, 2 and 3 Pole Breakers 10–60 AMP

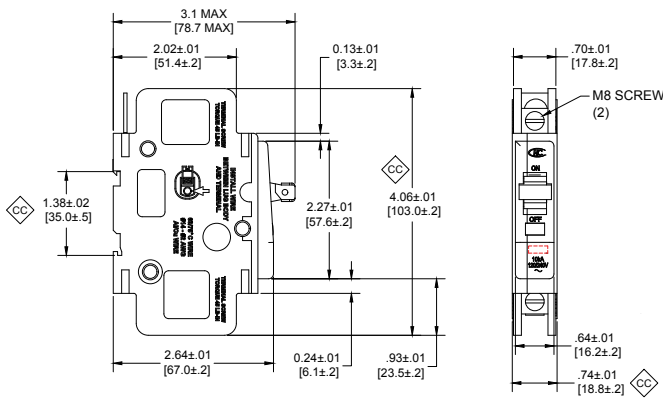
## HCB Series

### Interrupting Rating

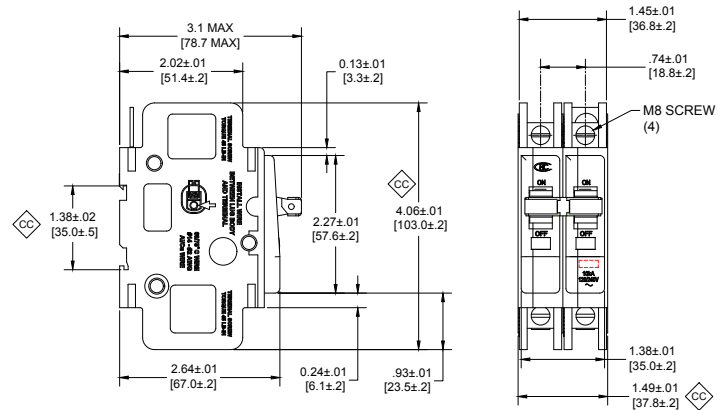
Poles	Ampere Rating	AC Volts	
		120	240
1	10–60	10kA	10kA
2	10–60	10kA	10kA
3	10–60	10kA	10kA

### Dimensions (inches [mm])

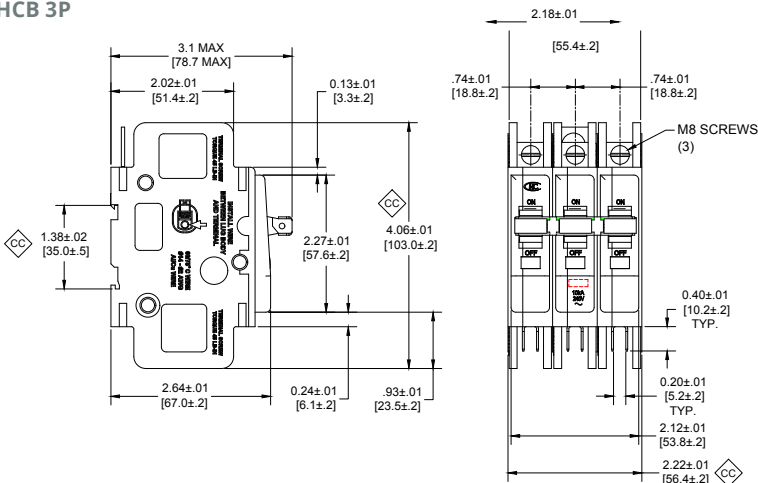
#### HCB 1P



#### HCB 2P



#### HCB 3P



Multiple mounting and termination options available, contact us for more information.