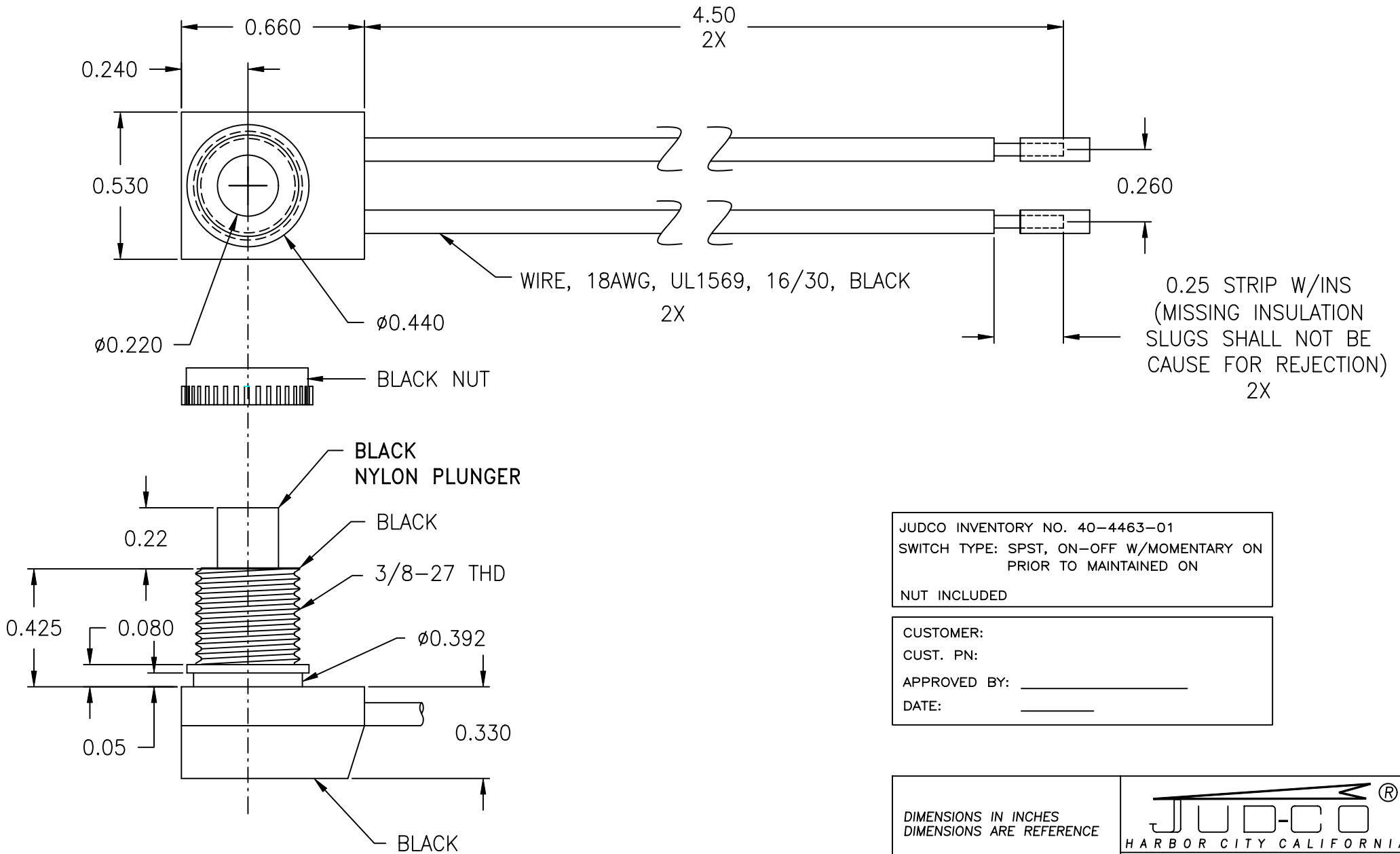
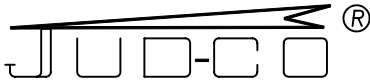


LTR	EN	DESCRIPTION	APPR	BY	DATE
A	-	INITIAL RELEASE	RB	EM	4-27-06
B	6269	CHANGED PLUNGER FROM ACETAL TO NYLON	MT	NH	4-06-11



JUDCO INVENTORY NO. 40-4463-01
 SWITCH TYPE: SPST, ON-OFF W/MOMENTARY ON
 PRIOR TO MAINTAINED ON
 NUT INCLUDED

CUSTOMER:
 CUST. PN:
 APPROVED BY: _____
 DATE: _____

DIMENSIONS IN INCHES DIMENSIONS ARE REFERENCE	 HARBOR CITY CALIFORNIA	
	TITLE J-188A-1 MOMENTARY ON	
APPR: KJ 04-27-06	DWG. NO. 1415-955	
DRAWN: NH 04-06-11	SHEET 1 OF 1	
ENG: IS 04-06-11	1415U955B.DWG	

This document embodies a product, component, and/or design proprietary to JUDCO MANUFACTURING INC., and which is protected either as a trade secret, by U.S. Patent, or by copyright. It may not be used in any way without written express consent of JUDCO MANUFACTURING INC.