

| |
|--|
| REV. Status |
| REVISION - 7-23-96 TS |
| REVISION A REFORMATTED 08/14/96 TS |
| REVISION B REFORMATTED 07/15/97 TS |
| REVISION C CHANGED A.7. 08/20/99 TS |
| REVISION D ADDED RoHS 01/12/06 MP |
| REVISION E SAFETY UPDATED FUSE INFO ADDED 6-22-09 MP |
| REVISION F REMOVED TEMECULA CA. 11-22-19 MP |

THREE FLANGE SINGLE PRIMARY 12.0VA PC BOARD POWER TRANSFORMER

A. Electrical Specifications (@ 25°C)

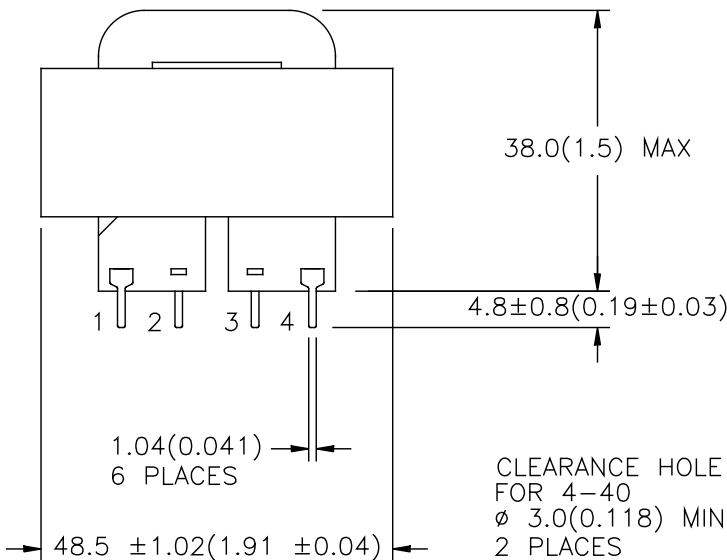
1. Maximum Power: 12.0 VA
2. Input Voltage and Frequency: 115V 50/60 Hz
3. Secondary Voltage: See Table A
4. Voltage Regulation: 19% TYP @ full load to no load
5. Temperature Rise: 45°C TYP (50°C MAX allowed)
6. Insulation Resistance:
100 MΩ MIN @ 500VDC, Pri to Sec, Pri to Core
100 MΩ MIN @ 500VDC, Sec to Core
7. Hi-Pot: 2500 Vrms 1 minute @ Pri to Sec
1500 Vrms 1 minute @ Pri to Core
1500 Vrms 1 minute @ Sec to Core
500 Vrms 1 minute @ Sec to Sec

B. Marking: TAMURA, Tamura part number (see sheet 2), MICROTRAN, Microtran part number (see sheet 2), date code, country of origin, safety logos and input and output ratings

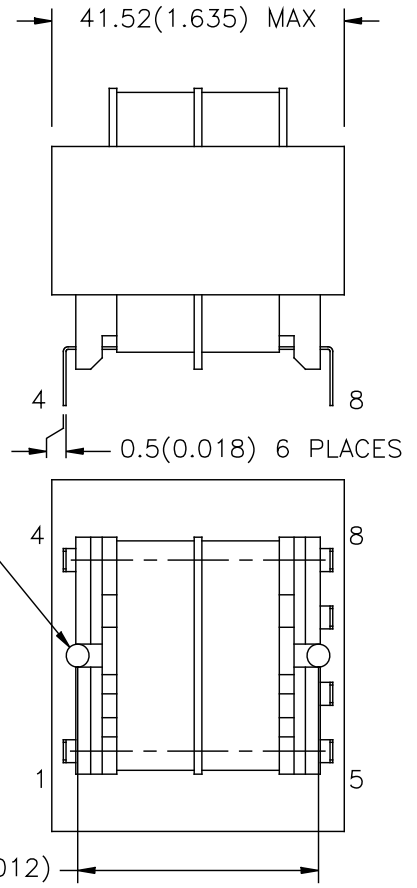
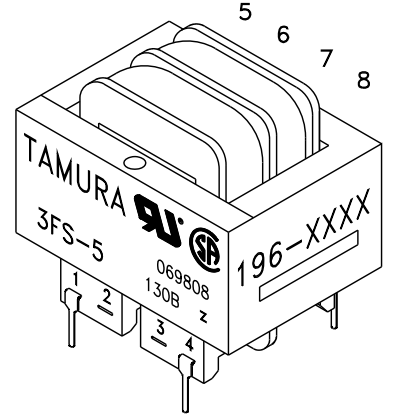
C. Safety:

- Insulation Class B (130°C) File No. E92957
- CSA 22.2 No. 66-1988, File No. 069808.
- UL 1585, Class 2 or 3, Noninherently limited, File No. E95844.
- UL 506, General Purpose, File No. E91239

D. Mechanical Specifications:



MODEL NUMBER
3FS-5XX & PSS5-XX



PREPARED BY:
C. POPPE

ENGINEER:
M. PITCHAI

SAFETY ENGINEER

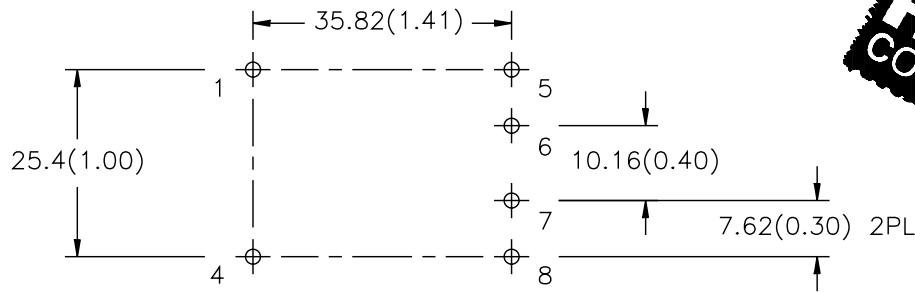
APPROVED:
M. PITCHAI

| | | | |
|--|----------|---|--|
| DRAWING CONTROL NO. P-A1-11648 | REV F | MODEL DESCRIPTION SIZE 5 3FS & PSS FAMILY POWER TRANSFORMER | MODEL SPECIFICATION 3FS-5XX & PSS5-XX |
| CONTENTS OF THIS DRAWING ARE SUBJECT TO CHANGE WITHOUT PRIOR NOTICE | | TAMURA CORPORATION OF AMERICA 1040 SOUTH ANDREASEN DRIVE, #100 ESCONDIDO, CA. 92029 (760) 871-2009 | DIM: mm [In] SCL: NONE Sh: 1 OF 2 |
| PROPRIETARY NOTICE: THIS DRAWING PRINT OR DOCUMENT AND SUBJECT MATTER DISCLOSED HEREIN ARE PROPRIETARY ITEMS TO WHICH TAMURA RETAINS THE EXCLUSIVE RIGHT OF DISSEMINATION, REPRODUCTION, MANUFACTURE AND SALE. THIS DRAWING, PRINT OR DOCUMENT IS SUBMITTED IN CONFIDENCE FOR CONSIDERATION BY THE RECIPIENT ALONE UNLESS PERMISSION FOR FURTHER DISCLOSURE IS EXPRESSLY GRANTED IN WRITING. | | | |

REV. Status

REVISION -
FOR REVISION
HISTORY

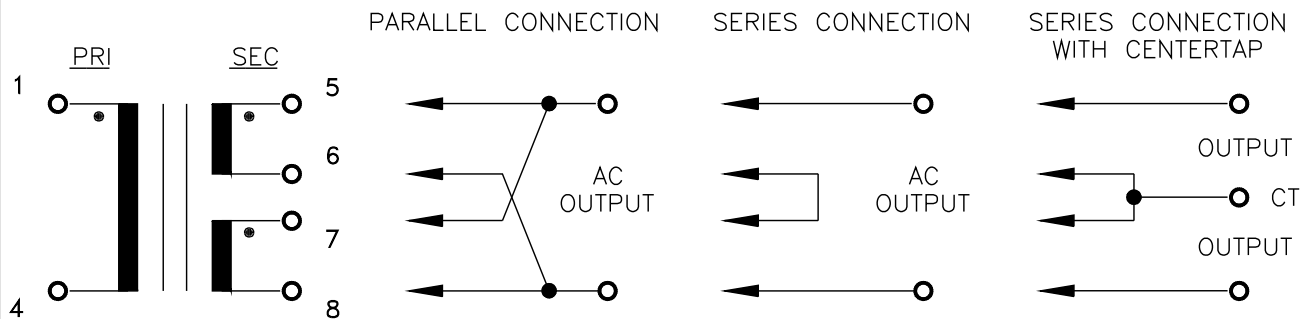
E. Mounting Footprint:



MODEL NUMBER

3FS-5XX & PSS5-XX

F. Schematic Diagram:



*not UL-recognized for series connect.

G. Table A: (NOTE: All parts are dual marked with both part numbers).

UL Approved Fuse.

| TAMURA PART NO. | MICROTRAN PART NO. | PARALLEL | | SERIES | | SERIES WITH CT | | SECONDARY FUSE REQUIRED EACH WINDING |
|-----------------|--------------------|----------|----------|----------|----------|----------------|----------|--------------------------------------|
| | | AC VOLTS | RMS AMPS | AC VOLTS | RMS AMPS | AC VOLTS | RMS AMPS | |
| 3FS-510 | PSS5-10 | 5.0 | 2.4 | 10.0 | 1.2 | 5.0-CT-5.0 | 1.2 | 1.50A |
| 3FS-512 | PSS5-12 | 6.3 | 2.0 | 12.6 | 1.0 | 6.3-CT-6.3 | 1.0 | 1.25A |
| 3FS-516 | PSS5-16 | 8.0 | 1.6 | 16.0 | 0.8 | 8.0-CT-8.0 | 0.8 | 1.0A |
| 3FS-520 | PSS5-20 | 10.0 | 1.2 | 20.0 | 0.6 | 10.0-CT-10.0 | 0.6 | 0.75A |
| 3FS-524 | PSS5-24 | 12.0 | 1.0 | 24.0 | 0.5 | 12.0-CT-12.0 | 0.5 | 0.60A |
| 3FS-528 | PSS5-28 | 14.0 | 0.84 | 28.0 | 0.42 | 14.0-CT-14.0 | 0.42 | 0.50A |
| 3FS-536 | PSS5-36 | 18.0 | 0.7 | 36.0 | 0.35 | 18.0-CT-18.0 | 0.35 | 0.50A |
| 3FS-548 | PSS5-48 | 24.0 | 0.5 | 48.0 | 0.25 | 24.0-CT-24.0 | 0.25 | 0.315A |
| 3FS-556 | PSS5-56 | 28.0 | 0.44 | 56.0 | 0.22 | 28.0-CT-28.0 | 0.22 | 0.30A |
| 3FS-5120 | PSS5-120 | 60.0 | 0.2 | 120.0* | 0.1 | 60.0-CT-60.0 | 0.1 | N/A |

PREPARED BY:

C. POPPE

ENGINEER:

M. PITCHAI

SAFETY ENGINEER

DRAWING CONTROL NO.

P-A1-11648

REV

F

MODEL DESCRIPTION
SIZE 5 3FS & PSS FAMILY
POWER TRANSFORMER

TAMURA CORPORATION OF AMERICA
1040 SOUTH ANDREASEN DRIVE, #100 ESCONDIDO, CA. 92029
(760) 871-2009

MODEL SPECIFICATION

3FS-5XX & PSS5-XX

DIM: mm[In] SCL: NONE Sh: 2 OF 2

APPROVED:

M. PITCHAI

PROPRIETARY NOTICE: THIS DRAWING PRINT OR DOCUMENT AND SUBJECT MATTER DISCLOSED HEREIN ARE PROPRIETARY ITEMS TO WHICH TAMURA RETAINS THE EXCLUSIVE RIGHT OF DISSEMINATION, REPRODUCTION, MANUFACTURE AND SALE. THIS DRAWING, PRINT OR DOCUMENT IS SUBMITTED IN CONFIDENCE FOR CONSIDERATION BY THE RECIPIENT ALONE UNLESS PERMISSION FOR FURTHER DISCLOSURE IS EXPRESSLY GRANTED IN WRITING.