

LVS SERIES

LOW VOLTAGE WALL SWITCHES

FEATURES

- Attractive, architecturally pleasing design
- Momentary or latching button action
- 1-4 buttons with or without LED
- Mounts to standard single-gang box
- California Title 24 compliant
- Low voltage device: 24 VDC
- Five-year limited warranty



RELATED PRODUCTS

- ⌘ [Line Voltage Auxiliary Relays](#)
- ⌘ [Universal Voltage Power Packs](#)
- ⌘ [MP347A Power Pack](#)
- ⌘ [Low Voltage Switch RJ45 Enabled](#)

SPECIFICATIONS

CONSTRUCTION

- Housing- Rugged, high-impact, injection-molded plastic
- Color-coded leads
- 1.88" W x 4.25" H x 1.56" D (47.75mm x 107.95mm x 39.63mm)
- 3.0 oz (85.0 g)
- White, Ivory, Light Almond and Gray

MOUNTING

- Single-gang NEMA-style switch box (average switch box)
- Decorator-style wall plate not included

ELECTRICAL

- Each switch: 100mA @ 30VDC Max
- Each pilot LED: 18-30VDC, internal 2.2kohm, 1/2 watt resistor
- 1-4 buttons, with or without pilot LED

ELECTRICAL (CONTINUED)

- Momentary

OPERATING ENVIRONMENT

- Indoor use only
- Operating temperature: 32° to 122°F (0° to 50°C)
- Relative humidity (non-condensing): 10% to 90%

CERTIFICATIONS

- cUL listed
- California Title 24 compliant
- This product qualifies as both (i) a "domestic construction material" per FAR §52.225-9 Buy American-Construction Materials and a "(COTS) item" per FAR §2.101 and (ii) a "designated country construction material" per FAR 52.225-11 Buy American-Construction Materials under Trade Agreements effective 5/27/2020. See [Buy American Solutions](#).

CERTIFICATIONS (CONTINUED)

- This product qualifies as "designated country construction material" per FAR 52.225-11 Buy American-Construction Materials under Trade Agreements effective 5/27/2020. See [Buy American Solutions](#).

WARRANTY

- 5 year limited
- See [HCS Standard Warranty](#) for additional information

ORDERING GUIDE

Example: LVSM1NPWH-U

CATALOG #

Model	Switch Type	Number of Buttons	Pilot	Color	BAA/TAA*	
LVS						
LVS	Low Voltage Wall Switch	M Momentary	1 1 button	PL w/ Pilot LEDs	WH White	Blank Standard Product U BAA T TAA
		L Latching	2 2 buttons	NP No Pilot	IV Ivory	
			3 3 buttons		LA Light Almond	
			4 4 buttons		G Gray	

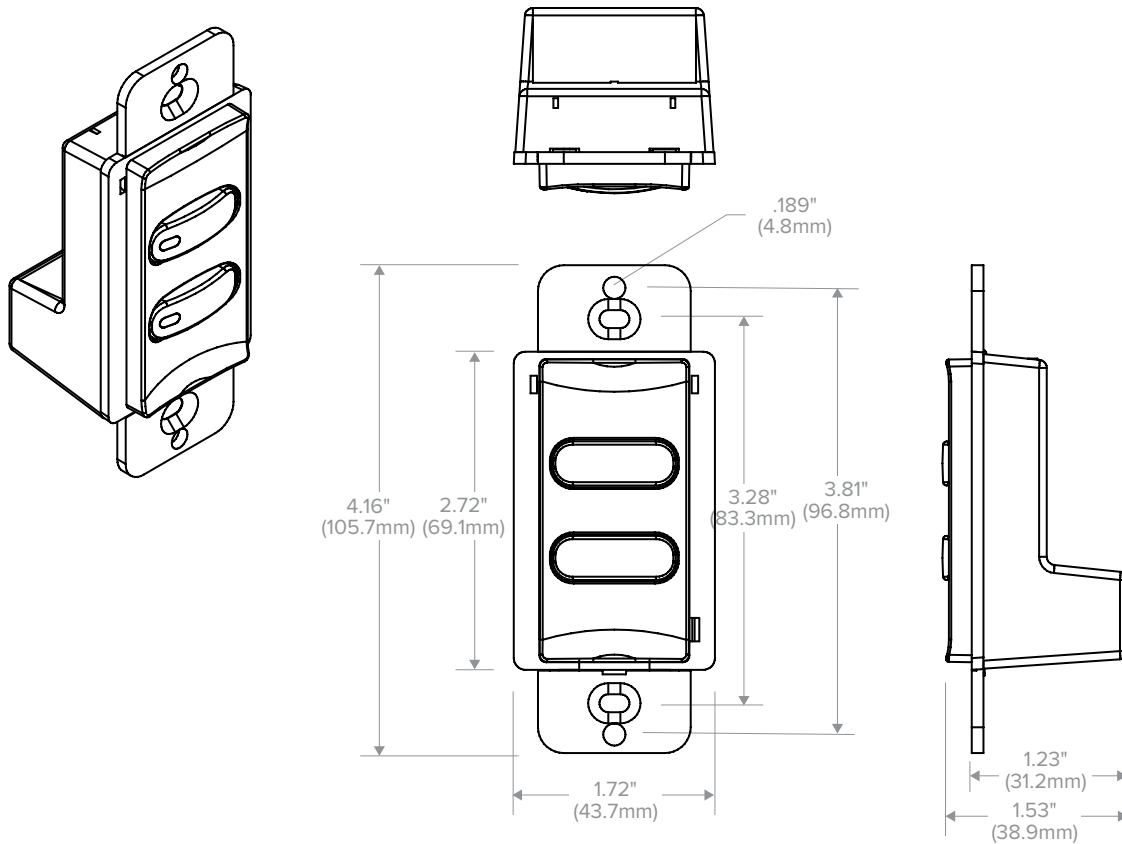
*Buy American Solutions	
BAA	TAA
FAR §52.225-9	FAR §52.225-11
LVSM1NPWH	
LVSL1NPWH	
LVSM2NPWH	

Notes:
Latching buttons are for special applications only, consult factory if you are not certain about how to use a latching button

LVS SERIES

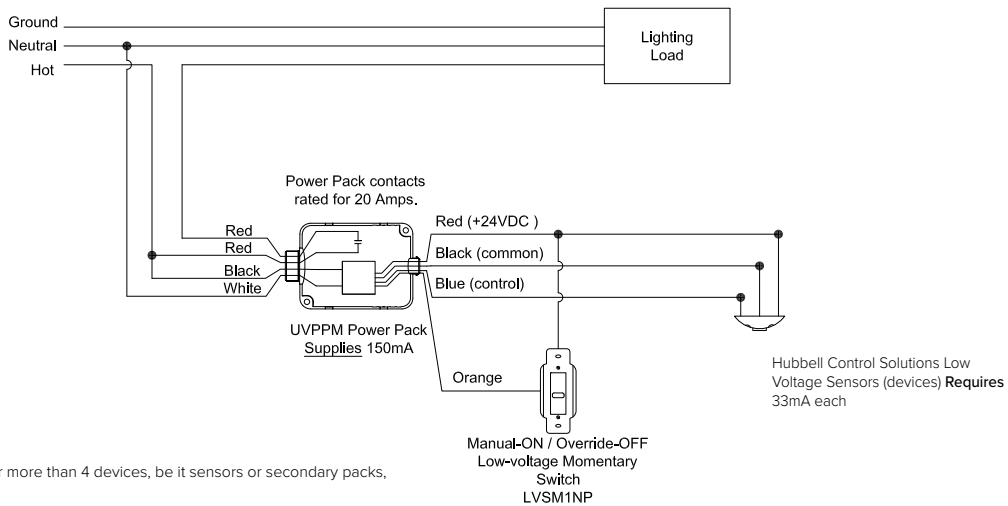
LOW VOLTAGE WALL SWITCHES

DIMENSIONS



ADDITIONAL INFORMATION

Wiring Diagram



Notes:

1. DO NOT attempt to power more than 4 devices, be it sensors or secondary packs, from a single power pack.
2. The occupancy sensor and low voltage switch station must both agree for the lighting load to turn on. The lighting load will turn off if either the switch station is pressed off or if occupancy is lost.
3. Low Voltage wire to be 18AWG.