

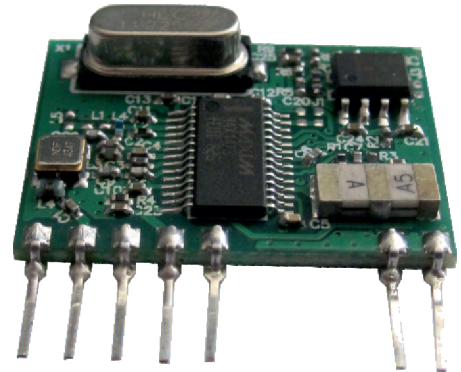
AM Superhet Receiver Module

RCASK3-434-CH is an AM Superhet Radio Receiver Module with SAW Front End filter and output noise filter to obtain high immunity to electromagnetic interference. The output filter circuit has been realized to cancel short impulses (<150use) in the received signal.

Ideal for application that needs high immunity ,

Applications :

- Wireless security systems
- Home and building automation
- Automatic Measure Reading
- Wireless Sensor Network



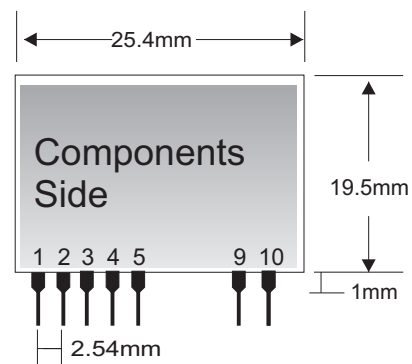
Technical Characteristics

| Characteristics | MIN | TYP | MAX | UNIT |
|--|------|--------|-----|--------|
| V _{cc} Supply Voltage | 4.5 | | 5.5 | Vdc |
| I _s Supply Current (Operation mode) | | 7.5 | 9.0 | mA |
| I _s Supply Current (Shut down mode) | | | 100 | nA |
| F Frequency | | 433.92 | | MHz |
| D Max Data Rate | | | 4.8 | Kbit/s |
| S RF Sensitivity | -110 | -113 | | dBm |
| B 3dB Bandwith | | ± 150 | | KHz |
| L Level of emitted spectrum | | | -60 | dBm |
| T Power Up Time (from Power to stable data) | | | 8 | ms |
| T1 Power Up Time1 (from PD to stable data) | | | 5 | ms |
| TE Operating Temperature Range | -20 | | +80 | °C |

Pin Description

| Pads | Name | Description |
|------|------|---------------------------------|
| 1 | OUT | Data Out |
| 2 | IN | Antenna |
| 3 | AGC | AGC Control (0=ON 1=OFF) |
| 4 | RSSI | Received Signal Strength Output |
| 5 | VCC | Power |
| 9 | GND | Ground |
| 10 | GND | Ground |

Mechanical Dimensions



Typical application

