

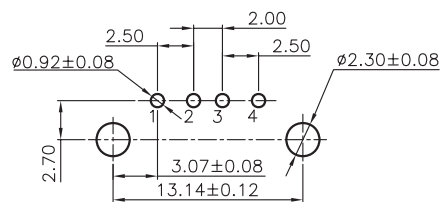
1

2

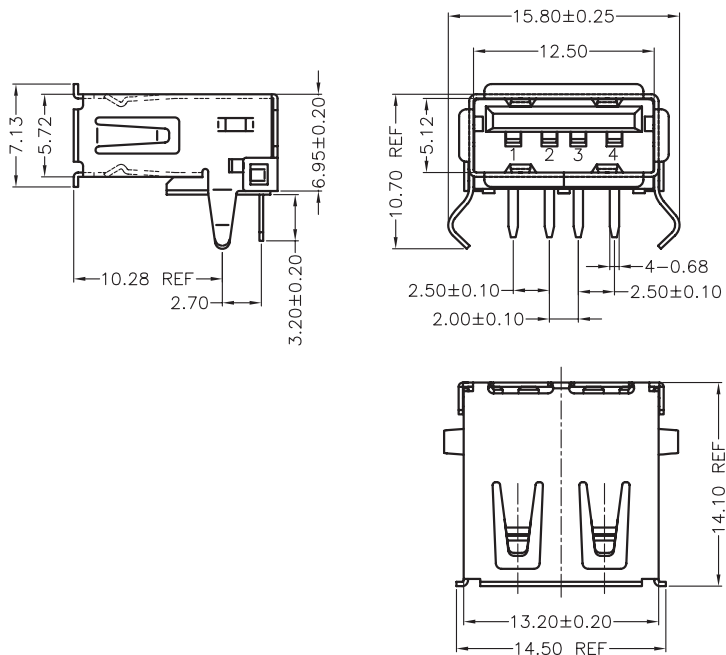
3

4

5



PCB LAYOUT - COMPONENT VIEW



## TECHNICAL CHARACTERISTICS

## MATERIAL

INSULATOR: PBT  
 FLAMMABILITY RATING: UL94-V0  
 COLOR: BLACK  
 CONTACT MATERIAL: COPPER ALLOY  
 CONTACT TYPE: STAMPED  
 CONTACT PLATING: SELECTIVE GOLD  
 SHIELDING: BRASS NI PLATED  
 QUALITY CLASS: 1500 MATING CYCLES

## ENVIRONMENTAL

OPERATING TEMPERATURE: -40°C UP TO +105°C  
 COMPLIANCE: LEAD FREE AND ROHS

## ELECTRICAL

CURRENT RATING: 1.5 A MAX  
 WORKING VOLTAGE: 30 VAC  
 INSULATOR RESISTANCE: >1000 MΩ  
 DIELECTRIC WITHSTANDING VOLTAGE: 750 VAC/MIN  
 CONTACT RESISTANCE: 20 mΩ MAX

## STANDARD

 CERTIFIED: E323964

## SOLDERING

JEDEC LEAD FREE WAVE SOLDERING

## PACKAGING

TRAY

RoHS Compliant

PROJECTION:



GENERAL TOLERANCE

.X =  $\pm 0.2$ .XX =  $\pm 0.15$ 

APPROVAL: NPr

UNIT: MM

SCALE:

SHEET: 1/2

DRAW: QL

DESCRIPTION: USB 2.0 FEMALE R/A A TYPE

WERI PART NO: 614 004 160 211

SIZE

**A4**

A	30-MAR-15	PDF REVIEW	QL
REV	DATE	FILE	BY