



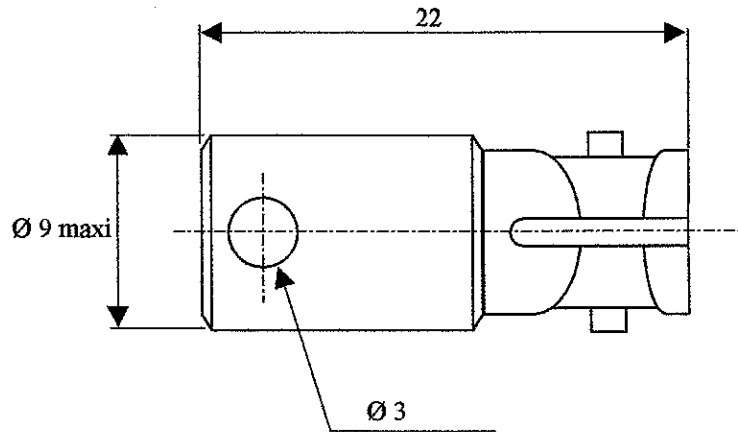
Title : METALIC DUST CAP FOR ST PLUG

Series  
ST2

Issue  
20/03/1991

Page  
1/1

Dimensions en mm



<b>CREATION</b>						<b>RADIALL</b> <sup>®</sup> 101, rue P. Hoffmann 93116 ROSNY/BOIS FRANCE Tel : (33) 0149353535 Fax : (33) 0148546363
N°:						
PEN/EP :						
Name: G.M						
Date: 20/03/91						
Appr.: L. V	Issue	Revisions	Name	Appr.		