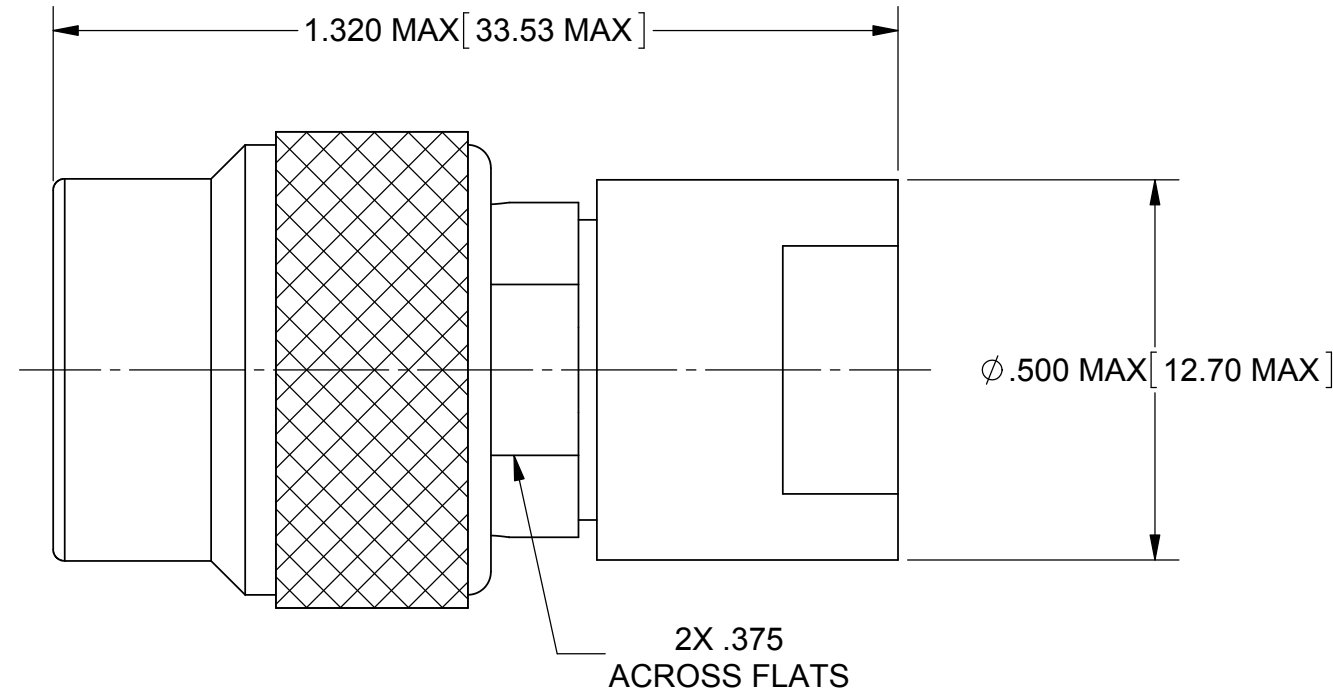
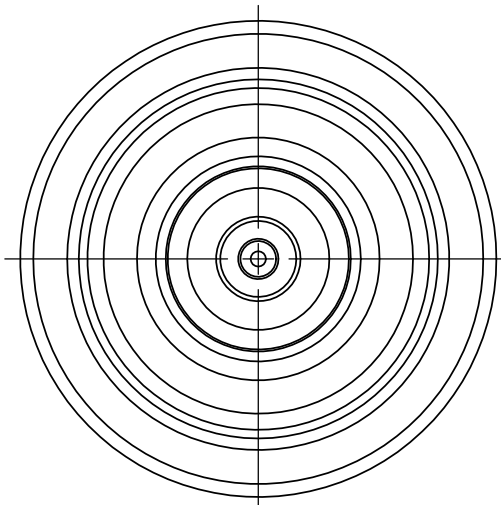
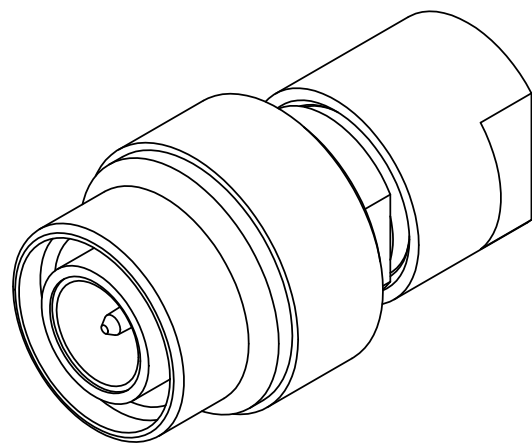


PRODUCT DATA DRAWING

REVISION HISTORY			
REV	DESCRIPTION	DATE	APPROVED
A	DCN 41869	11/15	DAL



MATERIAL:

- BODY & COUPLING NUT:** STAINLESS STEEL PER AMS-5640, ALLOY UNS S30300, TYPE 1
- SLEEVE:** BRASS PER ASTM B16, ALLOY UNS No. C36000
- CONTACT:** BERYLLIUM COPPER PER ASTM B196, ALLOY No. UNS C17300, TD04
- INSULATOR:** PTFE PER ASTM D1710, TYPE I, GRADE 1, CLASS B
- LOCK RING:** PHOSPHOR BRONZE PER ASTM B159 ALLOY C51000, H08
- GASKET:** SILICONE RUBBER PER A-A-59588, CLASS 2B, GRADE 60/70
- BELLOWS SPRING:** ELECTRO-DEPOSITED NICKEL: GOLD PLATED
- RESISTOR ELEMENT:** ALUMINUM NITRIDE SUBSTRATE WITH TANTALUM NITRIDE RESISTOR WITH GOLD PLATED TERMINATIONS

FINISH:

- BODY & COUPLING NUT:** NICKEL PER AMS-QQ-N-290, CLASS 1, GRADE G
- SLEEVE & CONTACT:** GOLD PER ASTM B488, TYPE II, CODE C, CLASS 1.52; OVER NICKEL PER AMS-QQ-N-290, CLASS 1, .00010" MIN.

PERFORMANCE:

- IMPEDANCE:** 50 OHMS
- FREQ. RANGE:** DC TO 12.4 GHz.
- VSWR:** 1.15:1 MAX. DC TO 12.4 GHz.

MATERIAL: SEE NOTES	DIMENSIONS ARE IN INCHES TOLERANCES: FRACTIONAL: ±1/64 ANGULAR: X° ±1'0" X'X' ±15'	UNLESS OTHERWISE SPECIFIED 1) ALL DIMENSIONS ARE IN INCHES (MILLIMETERS) 2) ALL DIMENSIONS ARE AFTER PLATING. 3) BREAK CORNERS & EDGES .005 R. MAX. 4) CHAM. 1ST & LAST THREADS. 5) SURFACE ROUGHNESS 63-MIL-STD-10. 6) DIA.'S ON COMMON CENTERS TO BE CONCENTRIC WITHIN .005 T.I.R. 7) REMOVE ALL BURRS	 2400 Centrepark West Drive, Suite 100 West Palm Beach, FL 33409
FINISH: SEE NOTES	DECIMAL: X ±.030 .XX ±.010 .XXX ±.005		
SURFACE AREA: N/A	INTERPRET DIMENSIONS AND TOLERANCES PER ASME Y14.5M - 1994	DRAWN: MEB 07/25/02 CHECKED: STW 07/25/02 APPROVED: STW 07/25/02	TITLE: TNC PLUG 1 WATT TERMINATION
PROPRIETARY THE INFORMATION CONTAINED IN THIS DRAWING IS THE SOLE PROPERTY OF SV MICROWAVE, INC. ANY REPRODUCTION IN PART OR AS A WHOLE WITHOUT THE WRITTEN PERMISSION OF SV MICROWAVE, INC IS PROHIBITED.	THIRD ANGLE PROJECTION		SIZE: B CAGE CODE: 95077 DWG. NO.: M39030/5-06 SCALE: 4:1 SHEET 1 OF 1