

## SM0125-064-ATH



### APPLICATIONS

- Grid Energy Storage
- UPS Systems
- Voltage Sag Protection
- Industrial Equipment
- Wayside Energy Storage



### FEATURES & ADVANTAGES

- Rack Mount Installation
- One Million Cycles Lifetime
- High Power Density
- 10-15 Year Life
- Temperature Monitor
- Overvoltage Monitor



### Specifications

Capacitance	Rated <sup>1</sup>	125F
	Tolerance	-0/+20%
Voltage	Rated	64V DC
	Surge <sup>2</sup>	67V DC
ESR	ESR (DC) - maximum initial	8mΩ
	Maximum leakage <sup>3</sup>	6mA
Current	Maximum peak	1900A
	Maximum continuous (ΔT = 15°C)	85A RMS
	Maximum continuous (ΔT = 40°C)	140A RMS
	Maximum energy <sup>4</sup>	71Wh
Energy Storage	Usable energy <sup>5</sup>	53Wh
	Volumetric energy density <sup>6</sup>	3.4Wh/L
	Gravametric energy density <sup>7</sup>	4.7Wh/kg
Power	Power density <sup>8</sup>	4096W/kg

### Temperature

Temperature Characteristics	Operating temperature range	-40°C to +65°C
	Storage temperature range	-40°C to +70°C

### Monitor and Control

Alarm Monitor	Over voltage	YES
	Temperature sensor	YES

### Safety

Safety	Short circuit current	8100A
	500V DC Insulation resistance	≥100MΩ
	5600V DC Leakage current	≤10mA
	Environmental ingress protection	IP54

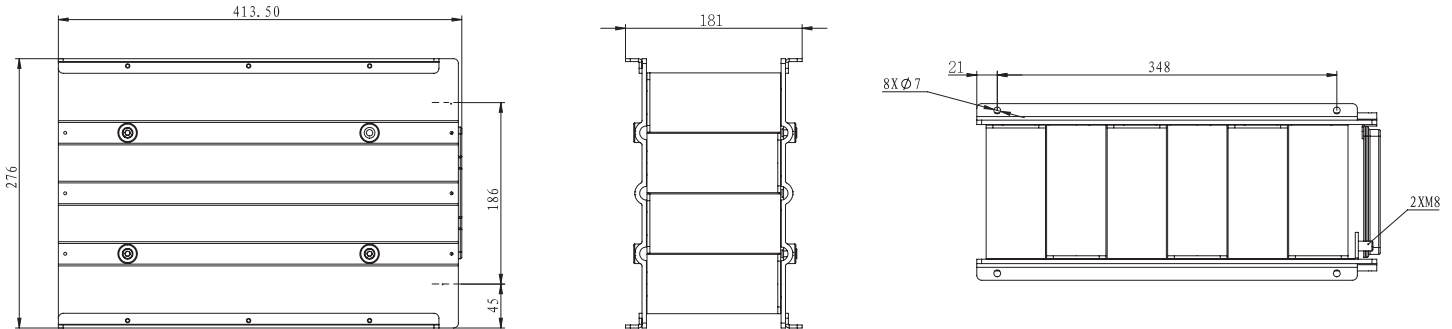
### Service Lifetime

Endurance	<b>Product held at rated voltage in 65°C environment for 1500 hours</b>	
	Change in capacitance (% drop from rated)	≤20%
	Change in ESR (% increase from maximum initial)	≤100%
DC Life	<b>Product held at rated voltage in 25°C environment</b>	
	Life (projected)	10+ years
	Change in capacitance (% drop from rated)	≤20%
	Change in ESR (% increase from maximum initial)	≤100%
Cycle Life	<b>Cycling from rated voltage to 50% voltage under constant current in 25°C environment</b>	
	Life (projected)	1,000,000 cycles
	Change in capacitance (% drop from rated)	≤20%
	Change in ESR (% increase from maximum initial)	≤100%
Storage	<b>Stored uncharged in original packaging in 25°C environment</b>	
	Life	4 years

### Physical Characteristics

Mechanical	Vibration	GB/T 11287-2000
	Transportation vibration	GB/T 4798.2-2008
	Shock	GB/T 14537-1993

## Outline Drawings:



## Weight and Size:

**Weight:** ≤15 kg | **Size: (Typical value):** 413\*181\*276 (L\*W\*H) mm

## Naming Rules:

Type	Capacitance	Dash	Rated Voltage	Dash	CMS - Capacitor Management/Monitoring
SM Supercapacitor Module	0125 = 125F	-	064 = 64V	-	ATH - Active with temp and OV monitor

## Notes:

1. Measure capacitance and DC internal resistance at 25°C under specified test current per Figure 1
2. Maximum voltage is non-repeatable and duration cannot exceed 1s
3. Corresponding current value after 72 hours of rated voltage at 25°C

$$4. 0.5C(V_{nom}^2)/3600$$

$$5. 0.5C(V_{nom}^2 - 0.5V_{nom}^2)/3600$$

$$6. \text{Max energy (Wh)} / \left( \frac{L \times W \times H \text{ (mm)}}{1 \times 10^6} \right)$$

$$7. \text{Max energy (Wh)} / \text{Weight (kg)}$$

$$8. \text{Per IEC62391-2, } P_d = \frac{0.12V^2}{ESR_{DC} \times \text{Weight(kg)}}$$

**CAP/ESR Measurement Waveform**

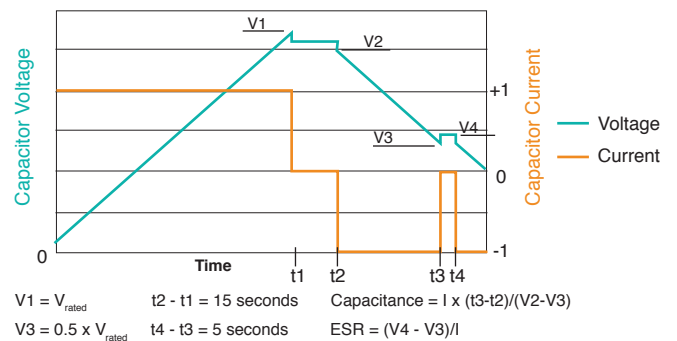


Figure 1

### Precautions:

- This product may vent or rupture if overcharged, reverse charged, incinerated or heated above 100°C
- Do not crush, mutilate, or disassemble
- Do not dispose of unit in trash



Specifications are subject to change without notice.