

Monarch GM01Q Module LTE Category M1 Evaluation Kit



This Evaluation Kit (EVK) enables out-of-the-box testing of Sequans' Monarch GM01Q module on an LTE Cat M1 network. The EVK supports integration of the module with a host platform via a Mini USB and enables customers to demonstrate and evaluate the features and performance of Sequans' GM01Q module.

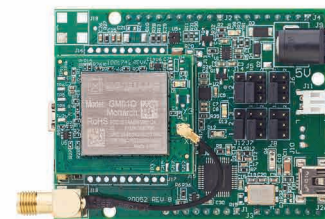
Quick Start Guide

Getting Started

- Screw the SMA antenna on to the GM01Q-EVK SMA connector. Separate the daughter board from the host board, insert the Truphone SIM card and then reassemble
- Connect the GM01Q-EVK to your laptop host through the main USB interface
- Launch the serial terminal over the USB interface configured with 921600 baud rate, 8 data bit, hardware flow control, no parity, 1 stop bit
- Enter the AT command AT+SQNCTM="truphone", this will trigger device reconfiguration and reboot
- Enter the AT command AT+CFUN=1 to connect to the network
- When the EVK is connected to the network, you can send and receive data through it to the network. You can test this functionality by entering AT+PING="www.sequans.com"
- Full Evaluation Kit documentation is available for download at sequans.com/gm01q-evk

Evaluation Kit Content

- GM01Q EVK
- One antenna
- US power plug
- One USB-Mini USB cable
- Truphone SIM card



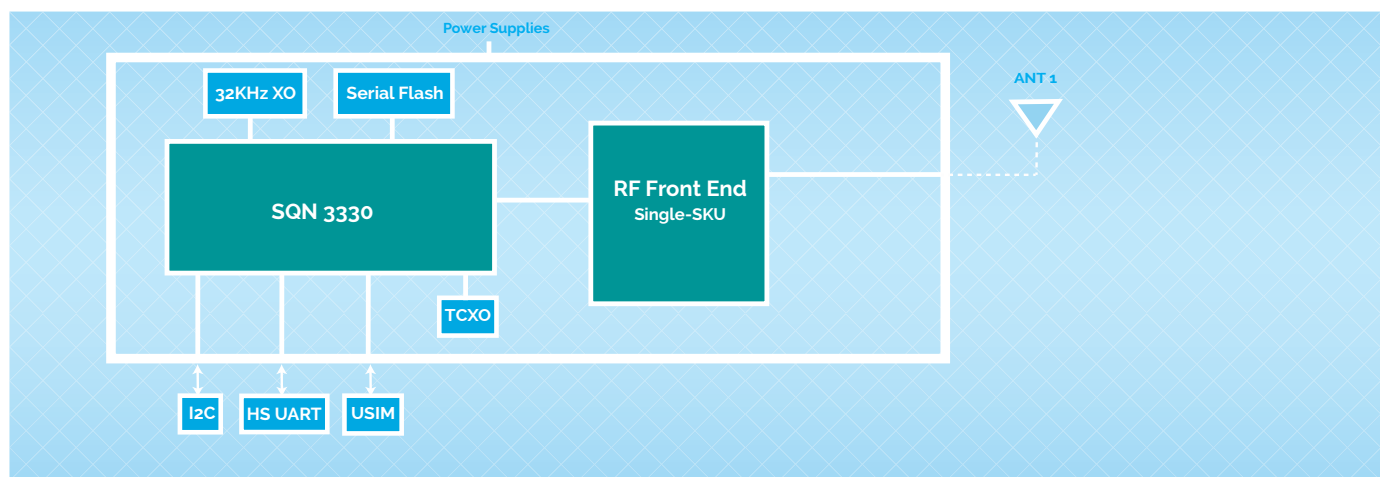
Contains FCC ID: 2AAGMGM01Q
This device complies with part 15 of the FCC Rules.
Operation is subject to the following two conditions:
(1) This device may not cause harmful interference, and
(2) this device must accept any interference received,
including interference that may cause undesired operation.

By opening this package you agree with the EVALUATION BOARD LICENSE AGREEMENT under <http://www.sequans.com/legal/ebla.pdf>

Monarch GM01Q Module LTE Category M1 Evaluation Kit



GM01Q block diagram



Product characteristics

LTE Modem

- ❖ Certified by operators: AT&T, KDDI, NTT Docomo, Orange, SoftBank, Sprint, Telstra, TELUS, Verizon Wireless
- ❖ 20 x 21 x 1.5 mm LGA module
- ❖ HD-FDD low and mid LTE bands (1, 2, 3, 4, 5, 8, 12, 13, 14, 17, 18, 19, 20, 25, 26, 28, 66)
- ❖ 3GPP Release 13 upgradable to 14
- ❖ SMS over SG
- ❖ No IMS
- ❖ LWM2M client
- ❖ Certified compliant with FCC, GCF, PTRCB, IC, ACMA, JATE, TELEC
- ❖ Max transmit power up to +23 dBm
- ❖ RoHS compliant

Throughput

- ❖ LTE UE category M1 (1.4 MHz bandwidth) up to 300 kbps DL/375 kbps UL in HD-FDD
- ❖ LTE UE category NB1 (200 kHz bandwidth) up to 40 kbps DL/55 kbps UL in HD-FDD

Interfaces

- ❖ High speed UART
- ❖ USIM
- ❖ 50 ohm antenna interface

Environmental

- ❖ Operating temperature: -30° C to +85° C
- ❖ Storage: -40° C to +85° C