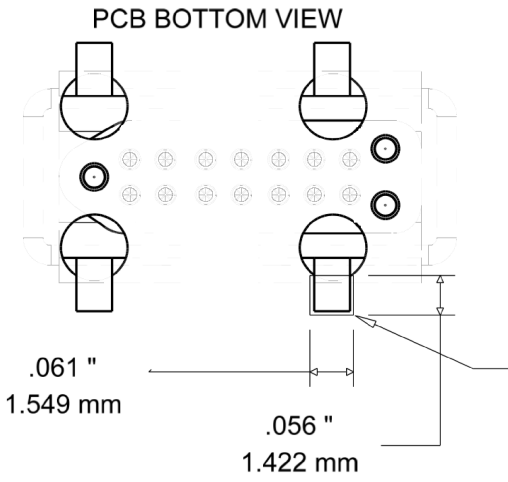
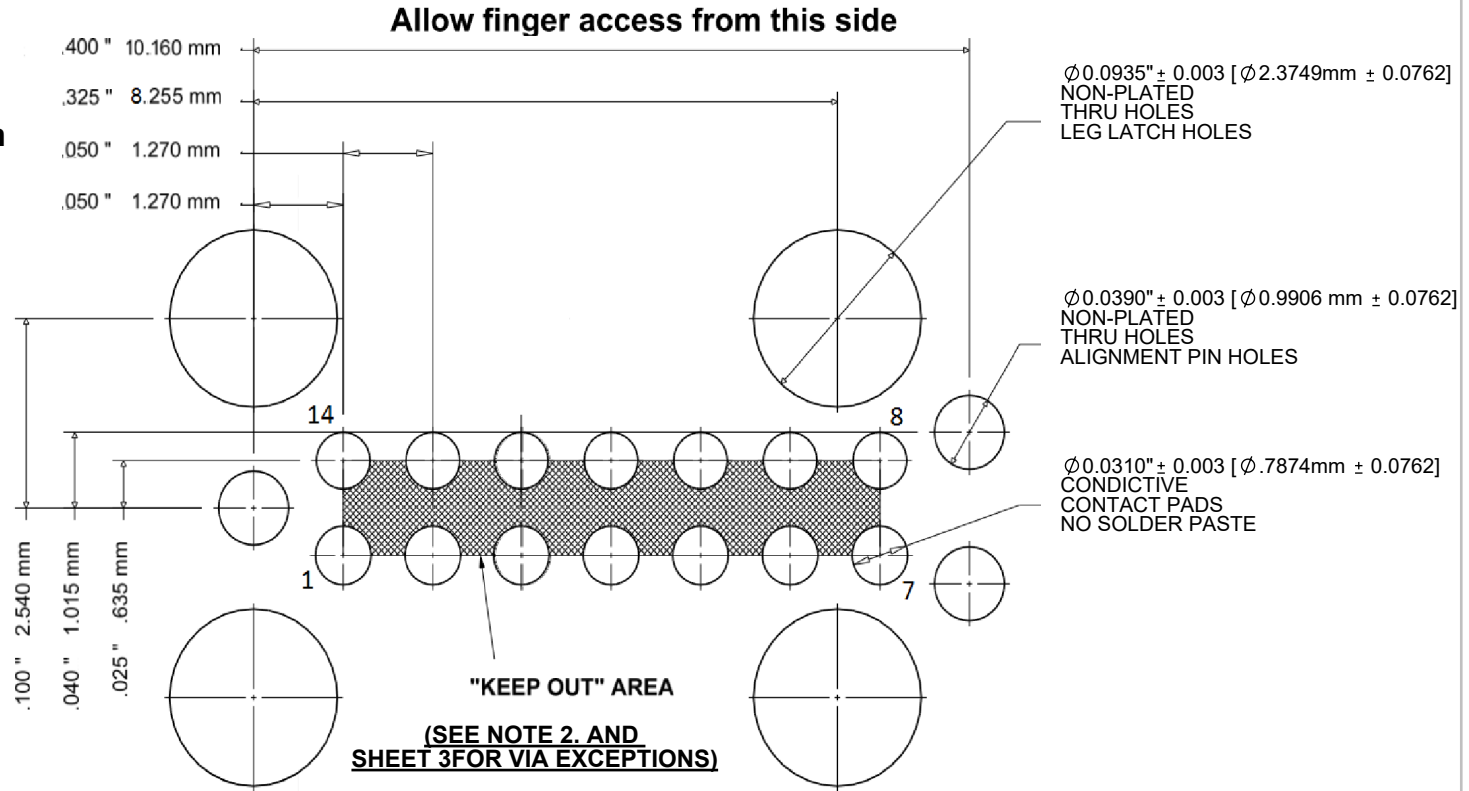


PCB LAYOUT NOTES:

- 1. Allow clearance for finger squeeze access from the two sides shown.**
- 2. No tracks or vias in the shaded "KEEP OUT" area.**
- 3. No other track or signal within 0.020" of any contact pad.**
- 4. Do not allow solder paste on the contact pads. It is essential to eliminate any hole in the solder paste-mask (solder stencil) layer. If this is not possible make the contact pads thru-hole with finished hole size of 0.012" or less.**
- 5. To avoid ordering confusion, please specify DNL in your BOM.**
- 6. Leg and alignment holes may be plated and used as vias but ensure minimum finished hole size meets specified tolerances.**

TC2070-IDC PLUG-OF-NAILS(TM) CABLE			
REV	DESCRIPTION	DATE	REV BY
C	CORRECTED .225" [5.715mm] LEG SPACING TO .325"[8.255mm].	12/16/2017	B.EASTMAN

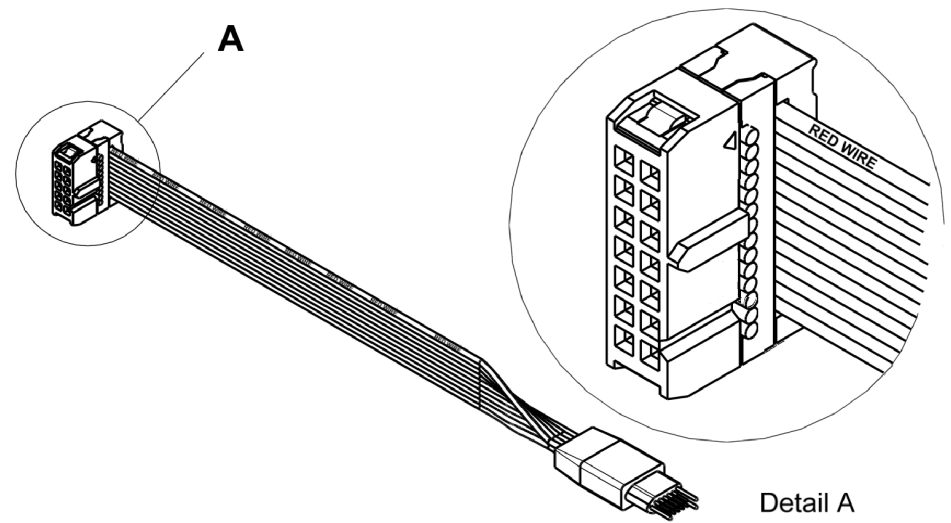
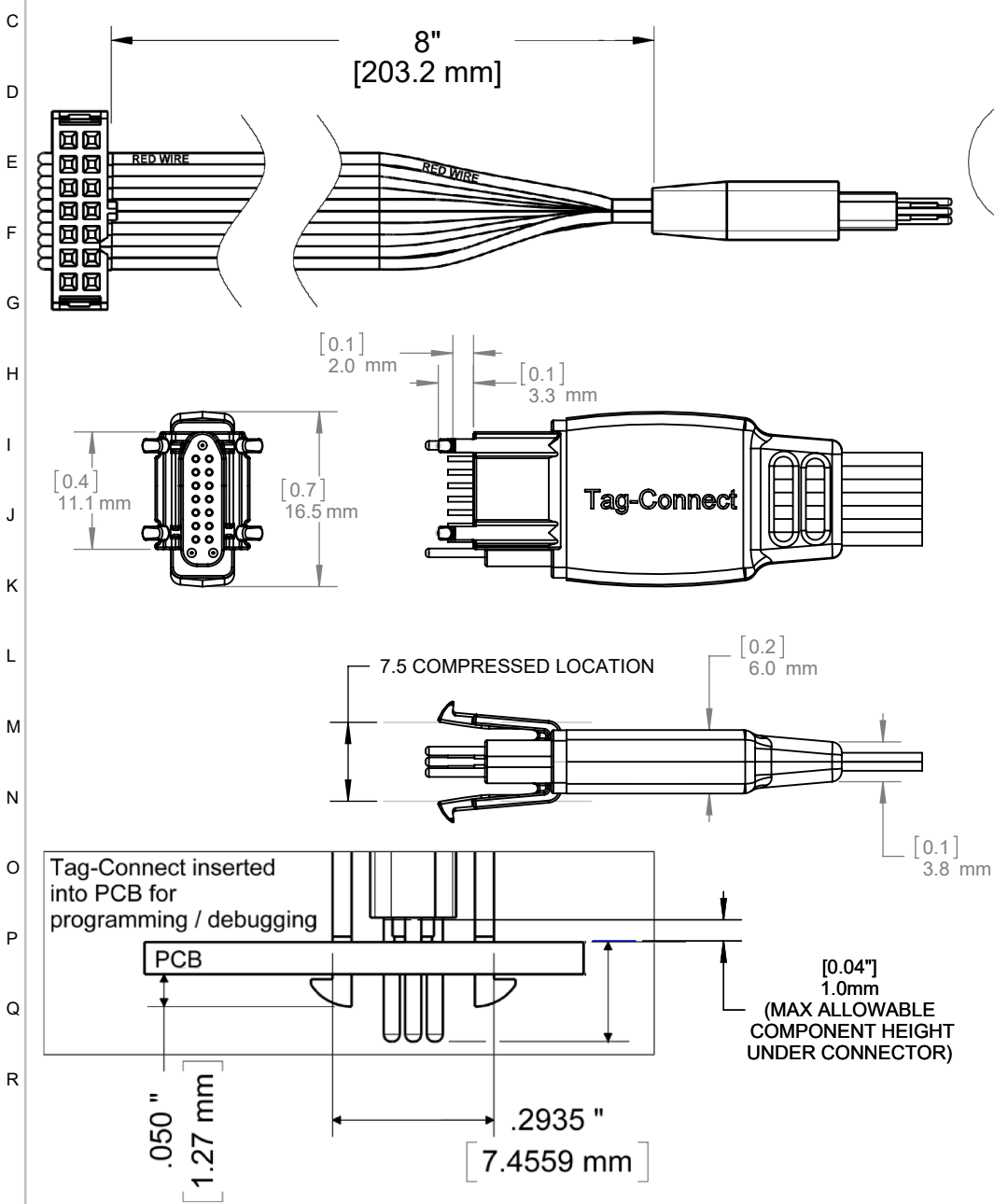


FOOTPRINT TO BE LABELED "TC2070-FP" ON LAYOUT / BOM

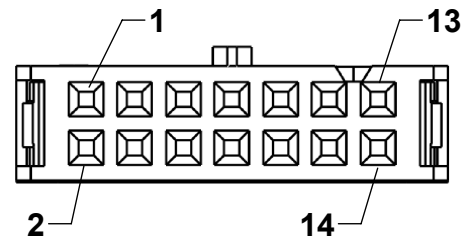
Use TC2070-FP (or TC2070-NL-FP) as the PCB "part" name – the cable must not appear on your BOM! Ensure the "part" in the PCB BOM is labelled as "Nothing to Purchase - Do Not Install" otherwise your CM's will try to buy one cable per PCB assembly!

SIZE A	FSCM NO.	DWG NO. TC2070-IDC	REV C
SCALE 1:5	www.TAG-CONNECT.com		SHEET 1 OF 3

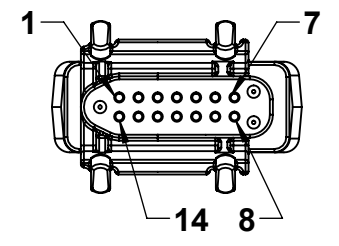
Note:
Dimmensions subject to change.



**END VIEW
2x7 0.1" PITCH
IDC CONNECTOR**

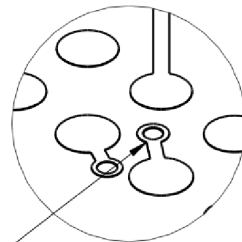
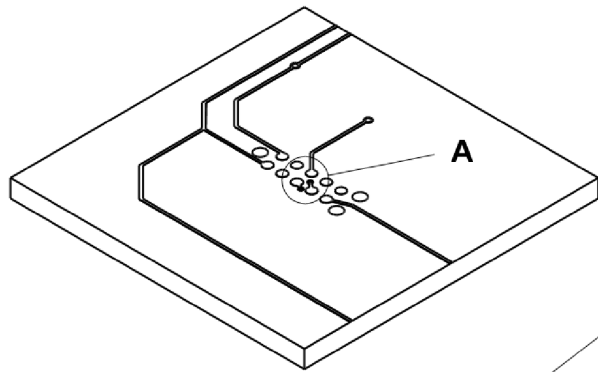


**END VIEW
14 PIN
TAG-CONNECT**



SIZE A	FSCM NO.	DWG NO. TC2070-IDC	REV C
SCALE 2:1	www.TAG-CONNECT.com		SHEET 2 OF 3

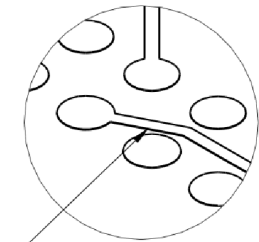
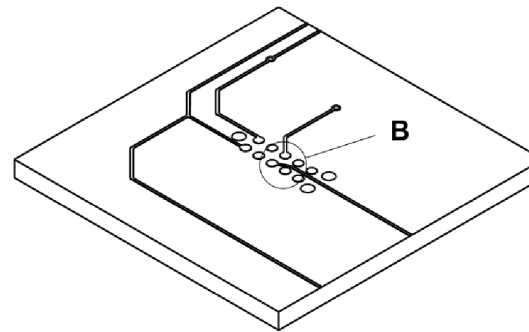
Layout Problems to Avoid



Detail A

Vias between contact pads

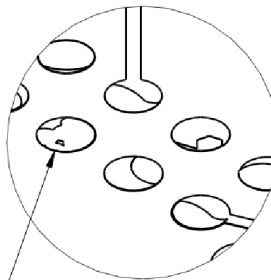
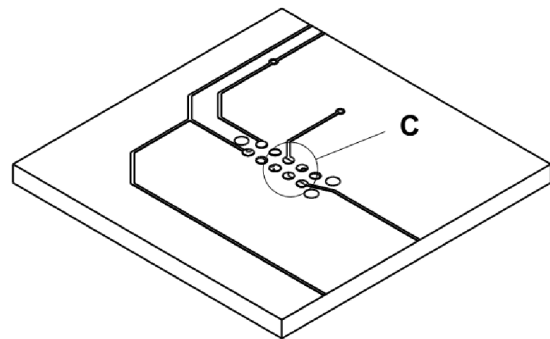
OKAY



Detail B

Traces less than .02" away from contact pad or in "KEEP OUT" area

NOT OKAY



Detail C

Do not deposit solder paste on contact pads. View Solder Paste Mask (Solder Stencil) layer in pad-stack and eliminate any hole.

Notes:

- 1) It IS OK to have a conductive via (not filled, not soldermasked) in the center of any of the pads so long as the finished hole is 0.012" or smaller.
- 2) It's NOT OK to have a via between two pads without 0.02" between the via and a pad of a different signal.
- 3) It IS OK to have a small via centered between four pads.

SIZE A	FSCM NO.	DWG NO. TC2070-IDC	REV C
SCALE 2:1	www.TAG-CONNECT.com		SHEET 3 OF 3