

PRODUCT BRIEF:

Logic :: Texas Instruments
www.logicpd.com/ti

OMAP35x SOM-LV System on Module

:: SUPPORTED PROCESSORS:

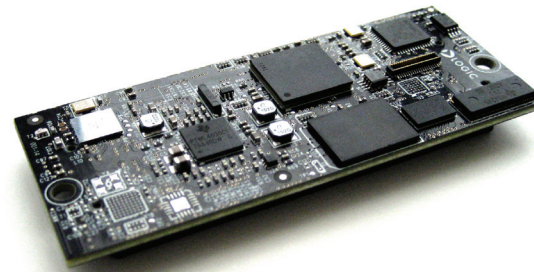
OMAP3530
OMAP3503

The OMAP35x System on Module (SOM) is a compact, product-ready hardware and software solution that fast forwards embedded designs.

Based on Texas Instruments' OMAP™ 3 processor family and designed in the SOM-LV Type III form factor, the OMAP35x module offers essential features for handheld and embedded networking applications. The OMAP35x SOM-LV features the superset OMAP3530 processor, but also supports the OMAP3503 processor.

The SOM-LV is an off-the-shelf solution that reduces development risks associated with the complex design and manufacturing details of the OMAP 3 processor. The standard SOM-LV form factor allows developers to reuse existing baseboard designs when upgrading to new OMAP processors, which extends roadmap possibilities for their end-product.

By starting with the corresponding Zoom™ OMAP35x Development Kit, engineers can write application software on the same hardware that will be used in the final product.



OMAP35x SOM-LV

The OMAP35x SOM-LV is ideal for applications in the medical, point-of-sale, industrial, and security markets. From patient monitoring and medical imaging, to card payment terminals and bar code readers, to CCTV cameras and intruder alarms, the OMAP35x SOM-LV allows for powerful versatility and long-life products.

OMAP35x SOM-LV :: HIGHLIGHTS:

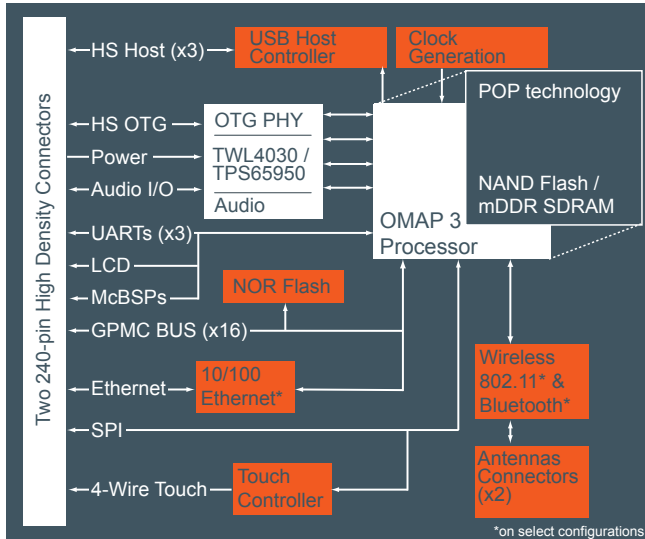
- +Product-ready System on Module with a TI OMAP 3 processor running up to 600 MHz
- +Compact form factor—SOM-LV Type III (31.2 x 76.5 x 7.4 mm)
- +Long product lifecycle
- +Microsoft Windows® Embedded CE 6.0 Board Support Packages (BSPs)
- +Open source Linux™ BSP
- +0°C to 70°C (commercial temp)
-20°C to 85°C (extended temp)
-40°C to 85°C (industrial temp)
- +RoHS compliant

ZOOM DEVELOPMENT KIT :: FEATURES:

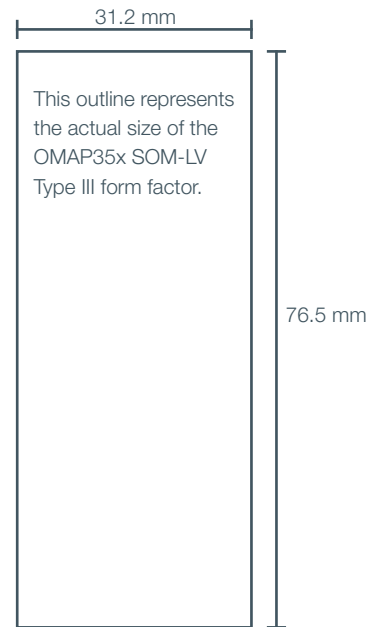
- +Application baseboard
- +OMAP35x SOM-LV
- +4.3" WQVGA LCD with 4-wire touchscreen
- +Necessary accessories to immediately get up and running
- +See Zoom OMAP35x Development Kit product brief for more information



OMAP35x SOM-LV Block Diagram



(Block diagram is not drawn to scale. For reference purposes only.)



Product Features

Processor

+TI OMAP 3 processor running up to 600 MHz

Memory

+ Mobile DDR / NAND flash (PoP technology)
128 MB / 256 MB (standard)
+ The following DDR / NAND memory densities are available for custom configurations
256 MB / 256 MB
256 MB / 512 MB
128 MB / 0 MB
256 MB / 0 MB
512 MB / 0 MB

Display

+ Programmable color LCD controller supports up to a 24 bpp TFT interface
+ Hardware supports XGA 1024x768 at 24-bit color

Touchscreen

+ Integrated 4-wire touchscreen controller (TSC2004)

Network Support

+ 10/100 Base-T Ethernet controller
+ 802.11b/g wireless Ethernet
+ Bluetooth 2.0 + EDR

Audio

+ I2S compliant audio codec (16-bit stereo DAC, 13-bit ADC)

PC Card Expansion

+ CompactFlash Type I card (memory-mode only)
+ MMC/SD card support

USB

+ One USB 2.0 high-speed host interface
+ One USB 2.0 high-speed On-the-Go interface

Serial Ports

+ Three external UARTs

GPIO

+ Programmable I/O depending on peripheral requirements

Software

+ LogicLoader™ (bootloader/monitor)
+ Windows® Embedded CE 6.0 BSP
+ Open source Linux™ BSP

Mechanical

+ SOM-LV Type III form factor
+ 31.2 mm wide x 76.5 mm long x 7.4 mm high

RoHS Compliant

OMAP35x SOM-LV Ordering Information

Model Number	mDDR (MB)	NAND Flash (MB)	NOR Flash (MB)	Wired Ethernet	802.11b/g Ethernet	Bluetooth	Temp. (°C)
SOMOMAP3503-10-1670HFCR	128	256	0	Y	N	N	0°–70°
SOMOMAP3503-10-1672IFCR	128	256	8	Y	Y	Y	0°–70°
SOMOMAP3530-10-1670EFCR	128	256	0	N	N	N	0°–70°
SOMOMAP3530-10-1672IFCR	128	256	8	Y	Y	Y	0°–70°
SOMOMAP3530-10-1672IFXR	128	256	8	Y	Y	Y	-20°–85°
SOMOMAP3530-10-1672JFIR	128	256	8	Y	N	Y	-40°–85°

NOTE: Custom configurations are available by special order. Please contact Logic Sales for details: product.sales@logicpd.com.

Zoom™ OMAP35x Development Kit Ordering Information

Model Number	SOM-LV Configuration
TMDSMEVM3530-L	SOMOMAP3530-10-1672IFCR

NOTE: Zoom OMAP35x Development Kits are available through Logic and Texas Instruments distributors.



411 N. Washington Ave. Suite 400 Minneapolis, MN 55401
T : 612.672.9495 F : 612.672.9489 I : www.logicpd.com



+ For more information contact Logic Sales : product.sales@logicpd.com
© 2009 Logic Product Development Company. All rights reserved. PN: 1009584 Rev G