

- 1
- 2
- 3
- 4
- 5
- 6
- 7
- 8
- 9
- 10
- 11
- 12
- 13
- 14
- 15
- 16
- 17
- 18

MATERIAL

Glass-fibre reinforced polyamide based (PA) technopolymer, black colour, matte finish.

STANDARD EXECUTIONS

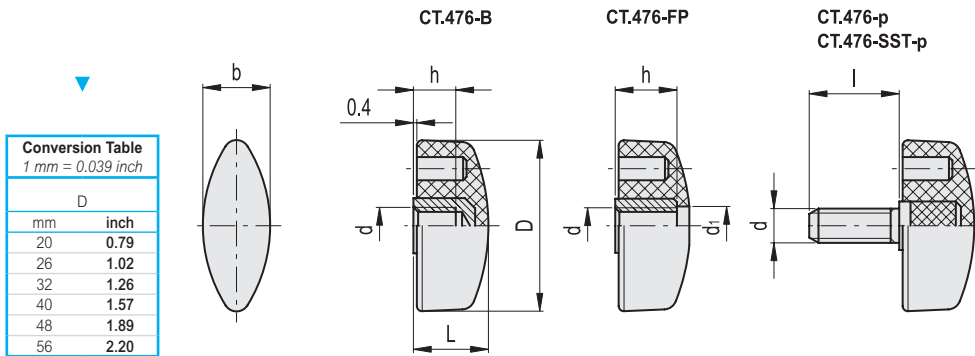
- **CT.476-B**: brass boss, threaded blind hole.
- **CT.476-FP**: brass boss, threaded pass-through hole.
- **CT.476-p**: zinc-plated steel threaded stud with chamfered flat end as in UNI 947 : ISO 4753 (see Technical data on page A-11).
- **CT.476-SST-p**: AISI 303 stainless steel threaded stud, chamfered flat end according to UNI 947 : ISO 4753 (see Technical data on page A-11).

FEATURES AND APPLICATIONS

These wing knobs allow high tightening torque values.



ELESA Original design



Conversion Table
1 mm = 0.039 inch

| D | |
|----|------|
| mm | inch |
| 20 | 0.79 |
| 26 | 1.02 |
| 32 | 1.26 |
| 40 | 1.57 |
| 48 | 1.89 |
| 56 | 2.20 |

CT.476-B

| Code | Description | D | d6H | L | b | h | C# [Nm] | ⚖ |
|------|-----------------|----|-----|----|------|----|---------|----|
| 8252 | CT.476/20 B-M4 | 20 | M4 | 11 | 9.5 | 6 | 6 | 3 |
| 8302 | CT.476/25 B-M5 | 26 | M5 | 13 | 11 | 6 | 8 | 4 |
| 8307 | CT.476/25 B-M6 | 26 | M6 | 13 | 11 | 6 | 10 | 4 |
| 8321 | CT.476/30 B-M5 | 32 | M5 | 15 | 13 | 6 | 8 | 8 |
| 8351 | CT.476/30 B-M6 | 32 | M6 | 15 | 13 | 8 | 15 | 7 |
| 8356 | CT.476/30 B-M8 | 32 | M8 | 15 | 13 | 8 | 20 | 6 |
| 8432 | CT.476/40 B-M5 | 40 | M5 | 17 | 15.5 | 6 | 8 | 14 |
| 8433 | CT.476/40 B-M6 | 40 | M6 | 17 | 15.5 | 8 | 15 | 12 |
| 8452 | CT.476/40 B-M8 | 40 | M8 | 17 | 15.5 | 8 | 24 | 10 |
| 8502 | CT.476/48 B-M8 | 48 | M8 | 19 | 19 | 10 | 30 | 14 |
| 8552 | CT.476/56 B-M10 | 56 | M10 | 23 | 21 | 13 | 32 | 17 |

CT.476-FP

| Code | Description | D | d6H | L | d1 | b | h | C# [Nm] | ⚖ |
|------|------------------|----|-----|----|-----|------|----|---------|----|
| 8326 | CT.476/30 FP-M5 | 32 | M5 | 15 | 6.5 | 13 | 12 | 9 | 8 |
| 8358 | CT.476/30 FP-M6 | 32 | M6 | 15 | 6.5 | 13 | 12 | 15 | 7 |
| 8436 | CT.476/40 FP-M5 | 40 | M5 | 17 | 9 | 15.5 | 12 | 9 | 13 |
| 8438 | CT.476/40 FP-M6 | 40 | M6 | 17 | 9 | 15.5 | 12 | 15 | 12 |
| 8458 | CT.476/40 FP-M8 | 40 | M8 | 17 | 9 | 15.5 | 14 | 22 | 10 |
| 8508 | CT.476/48 FP-M8 | 48 | M8 | 19 | 9 | 19 | 16 | 24 | 14 |
| 8558 | CT.476/56 FP-M10 | 56 | M10 | 23 | 11 | 21 | 20 | 30 | 18 |

Clamping elements

"Max limit Tightening torque" means the max torque value at which the metal insert, in normal conditions of use, is perfectly and strongly anchored to the plastic material

CT.476-p

METRIC

| Code | Description | D | d6g | L | l | b | C# [Nm] | ⚖️ |
|------|--------------------|----|-----|----|----|------|------------|----|
| 8261 | CT.476/20 p-M4x6 | 20 | M4 | 11 | 6 | 9.5 | 6 | 4 |
| 8262 | CT.476/20 p-M4x10 | 20 | M4 | 11 | 10 | 9.5 | 6 | 4 |
| 8311 | CT.476/25 p-M5x10 | 26 | M5 | 13 | 10 | 11 | 8 | 6 |
| 8312 | CT.476/25 p-M5x16 | 26 | M5 | 13 | 16 | 11 | 8 | 7 |
| 8331 | CT.476/30 p-M5x10 | 32 | M5 | 15 | 10 | 13 | 8 | 7 |
| 8332 | CT.476/30 p-M5x16 | 32 | M5 | 15 | 16 | 13 | 8 | 9 |
| 8333 | CT.476/30 p-M5x20 | 32 | M5 | 15 | 20 | 13 | 8 | 13 |
| 8361 | CT.476/30 p-M6x10 | 32 | M6 | 15 | 10 | 13 | 14 | 8 |
| 8360 | CT.476/30 p-M6x12 | 32 | M6 | 15 | 12 | 13 | 14 | 9 |
| 8362 | CT.476/30 p-M6x16 | 32 | M6 | 15 | 16 | 13 | 14 | 10 |
| 8363 | CT.476/30 p-M6x20 | 32 | M6 | 15 | 20 | 13 | 14 | 11 |
| 8364 | CT.476/30 p-M6x25 | 32 | M6 | 15 | 25 | 13 | 14 | 12 |
| 8366 | CT.476/30 p-M6x30 | 32 | M6 | 15 | 30 | 13 | 14 | 13 |
| 8365 | CT.476/30 p-M6x40 | 32 | M6 | 15 | 40 | 13 | 14 | 14 |
| 8371 | CT.476/30 p-M8x16 | 32 | M8 | 15 | 16 | 13 | 16 | 13 |
| 8375 | CT.476/30 p-M8x20 | 32 | M8 | 15 | 20 | 13 | 16 | 14 |
| 8372 | CT.476/30 p-M8x25 | 32 | M8 | 15 | 25 | 13 | 16 | 16 |
| 8376 | CT.476/30 p-M8x30 | 32 | M8 | 15 | 30 | 13 | 16 | 18 |
| 8373 | CT.476/30 p-M8x40 | 32 | M8 | 15 | 40 | 13 | 16 | 20 |
| 8374 | CT.476/30 p-M8x45 | 32 | M8 | 15 | 45 | 13 | 16 | 24 |
| 8482 | CT.476/40 p-M5x10 | 40 | M5 | 17 | 10 | 15.5 | 8 | 11 |
| 8483 | CT.476/40 p-M5x16 | 40 | M5 | 17 | 16 | 15.5 | 8 | 12 |
| 8485 | CT.476/40 p-M5x20 | 40 | M5 | 17 | 20 | 15.5 | 8 | 13 |
| 8492 | CT.476/40 p-M6x16 | 40 | M6 | 17 | 16 | 15.5 | 14 | 13 |
| 8493 | CT.476/40 p-M6x20 | 40 | M6 | 17 | 20 | 15.5 | 14 | 14 |
| 8494 | CT.476/40 p-M6x25 | 40 | M6 | 17 | 25 | 15.5 | 14 | 16 |
| 8496 | CT.476/40 p-M6x30 | 40 | M6 | 17 | 30 | 15.5 | 14 | 17 |
| 8498 | CT.476/40 p-M6x40 | 40 | M6 | 17 | 40 | 15.5 | 14 | 19 |
| 8462 | CT.476/40 p-M8x16 | 40 | M8 | 17 | 16 | 15.5 | 18 | 15 |
| 8464 | CT.476/40 p-M8x25 | 40 | M8 | 17 | 25 | 15.5 | 18 | 16 |
| 8466 | CT.476/40 p-M8x40 | 40 | M8 | 17 | 40 | 15.5 | 18 | 22 |
| 8472 | CT.476/40 p-M10x20 | 40 | M10 | 17 | 20 | 15.5 | 28 | 25 |
| 8474 | CT.476/40 p-M10x30 | 40 | M10 | 17 | 30 | 15.5 | 28 | 27 |
| 8476 | CT.476/40 p-M10x40 | 40 | M10 | 17 | 40 | 15.5 | 28 | 31 |
| 8521 | CT.476/48 p-M8x16 | 48 | M8 | 19 | 16 | 19 | 20 | 18 |
| 8524 | CT.476/48 p-M8x25 | 48 | M8 | 19 | 25 | 19 | 20 | 21 |
| 8572 | CT.476/56 p-M10x20 | 56 | M10 | 23 | 20 | 21 | 40 | 35 |
| 8574 | CT.476/56 p-M10x30 | 56 | M10 | 23 | 30 | 21 | 40 | 39 |

CT.476-SST-p

INOX STAINLESS STEEL METRIC

| Code | Description | D | d6g | L | l | b | C# [Nm] | ⚖️ |
|--------|------------------------|----|-----|----|----|------|------------|----|
| 108261 | CT.476/20-SST-p-M4x6 | 20 | M4 | 11 | 6 | 9.5 | 6 | 4 |
| 108262 | CT.476/20-SST-p-M4x10 | 20 | M4 | 11 | 10 | 9.5 | 6 | 4 |
| 108311 | CT.476/25-SST-p-M5x10 | 26 | M5 | 13 | 10 | 11 | 8 | 6 |
| 108312 | CT.476/25-SST-p-M5x16 | 26 | M5 | 13 | 16 | 11 | 8 | 7 |
| 108313 | CT.476/25-SST-p-M5x25 | 26 | M5 | 13 | 25 | 11 | 8 | 8 |
| 108361 | CT.476/30-SST-p-M6x10 | 32 | M6 | 15 | 10 | 13 | 14 | 8 |
| 108362 | CT.476/30-SST-p-M6x16 | 32 | M6 | 15 | 16 | 13 | 14 | 10 |
| 108364 | CT.476/30-SST-p-M6x20 | 32 | M6 | 15 | 20 | 13 | 14 | 11 |
| 108366 | CT.476/30-SST-p-M6x25 | 32 | M6 | 15 | 25 | 13 | 14 | 12 |
| 108367 | CT.476/30-SST-p-M6x30 | 32 | M6 | 15 | 30 | 13 | 14 | 13 |
| 108372 | CT.476/30-SST-p-M8x16 | 32 | M8 | 15 | 16 | 13 | 16 | 13 |
| 108374 | CT.476/30-SST-p-M8x20 | 32 | M8 | 15 | 20 | 13 | 16 | 14 |
| 108375 | CT.476/30-SST-p-M8x25 | 32 | M8 | 15 | 25 | 13 | 16 | 16 |
| 108377 | CT.476/30-SST-p-M8x30 | 32 | M8 | 15 | 30 | 13 | 16 | 17 |
| 108378 | CT.476/30-SST-p-M8x40 | 32 | M8 | 15 | 40 | 13 | 16 | 20 |
| 108462 | CT.476/40-SST-p-M8x16 | 40 | M8 | 17 | 16 | 15.5 | 18 | 15 |
| 108464 | CT.476/40-SST-p-M8x25 | 40 | M8 | 17 | 25 | 15.5 | 18 | 16 |
| 108466 | CT.476/40-SST-p-M8x40 | 40 | M8 | 17 | 40 | 15.5 | 18 | 22 |
| 108521 | CT.476/48-SST-p-M8x16 | 48 | M8 | 19 | 16 | 19 | 20 | 18 |
| 108524 | CT.476/48-SST-p-M8x25 | 48 | M8 | 19 | 25 | 19 | 20 | 18 |
| 108572 | CT.476/56-SST-p-M10x20 | 56 | M10 | 23 | 20 | 21 | 40 | 35 |
| 108574 | CT.476/56-SST-p-M10x30 | 56 | M10 | 23 | 30 | 21 | 40 | 39 |

"Max limit Tightening torque" means the max torque value at which the metal insert, in normal conditions of use, is perfectly and strongly anchored to the plastic material.