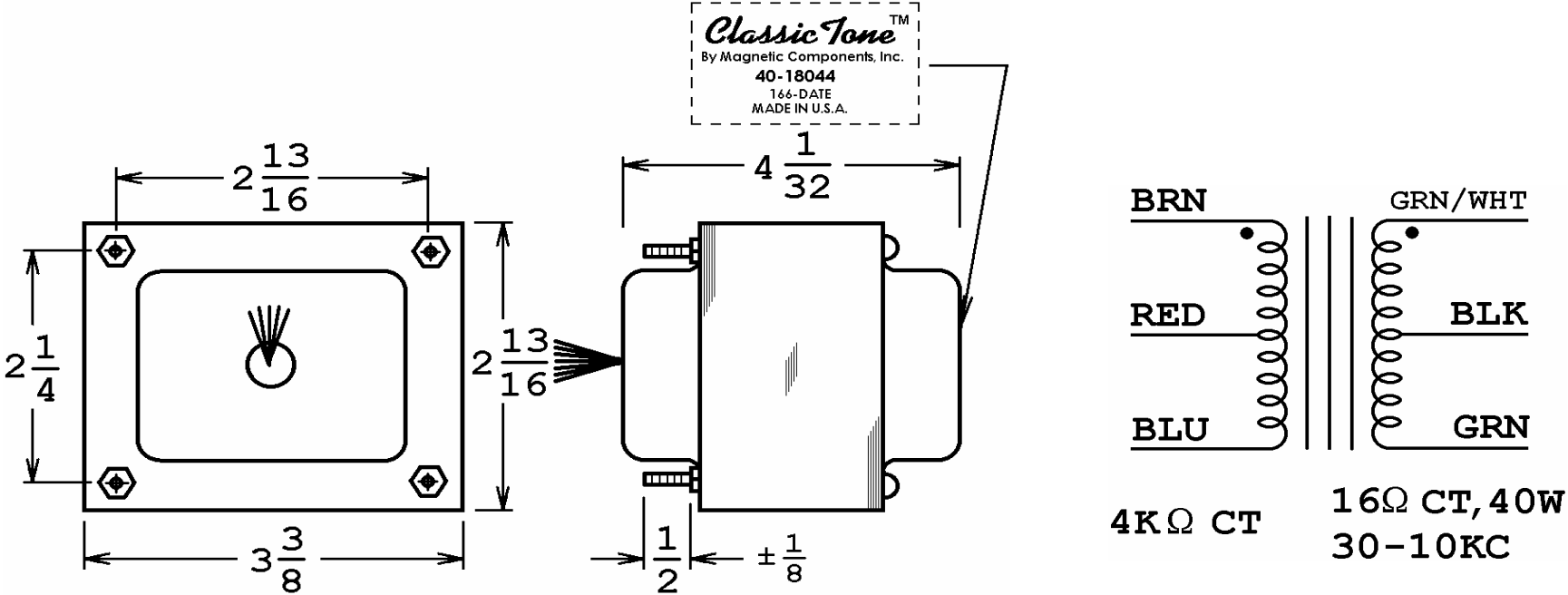


This drawing is the property of Magnetic Components, Inc. and shall not be reproduced, in whole or in part, without the written permission of Magnetic Components, Inc.

		REVISIONS	
LTR	DESCRIPTION	DATE	APPROVED
A	ADD MOUNTING HARDWARE NOTE	10/27/11	M. Sacketti



USE FOUR # 8-32 HEX NUTS (NOT SUPPLIED) FOR CHASSIS MOUNTING. PLEASE DO NOT REMOVE EXISTING HEX NUTS.

DRAWING No. : OOA-85294
 DIV :
 LOC : SCHILLER PK

UNLESS OTHERWISE SPECIFIED		SIGNATURES		DATE		MAGNETIC COMPONENTS, INC.		TITLE	
ALL DIMENSIONS IN INCHES DO NOT SCALE DRAWING		DRAWN : <i>M. Sacketti</i>		08 JUN 10		CAGE 50508		LESLIE OUTPUT TRANSFORMER	
FRACTIONS +/-		CHECK :				SIZE A		PART No. 40-18044	
.X = +/-		APPR : <i>M. Sacketti</i>		08 JUN 10		SCALE NONE		REV A	
.XX = +/-								SHEET :	
.XXX = +/-									
ANGLES = +/-									