



VTDV4C121cCPA DV4 12.1" Computer

VarTech's flagship DiamondVue series of panel computers is available in various mechanical/mounting designs.

The adaptive design of DiamondVue panel computers enables the same mechanical footprint for standalone displays and panel computers alike, expanding versatility to a wider range of industrial, commercial, and military applications.

New clip mount bezel options offer a slimmer design, and displays are easily mounted without having to drill holes. Available with standard or sunlight readable LCD screens these screens are perfectly suited for improved visibility and operability of HMI interfaces and process controls.

Features

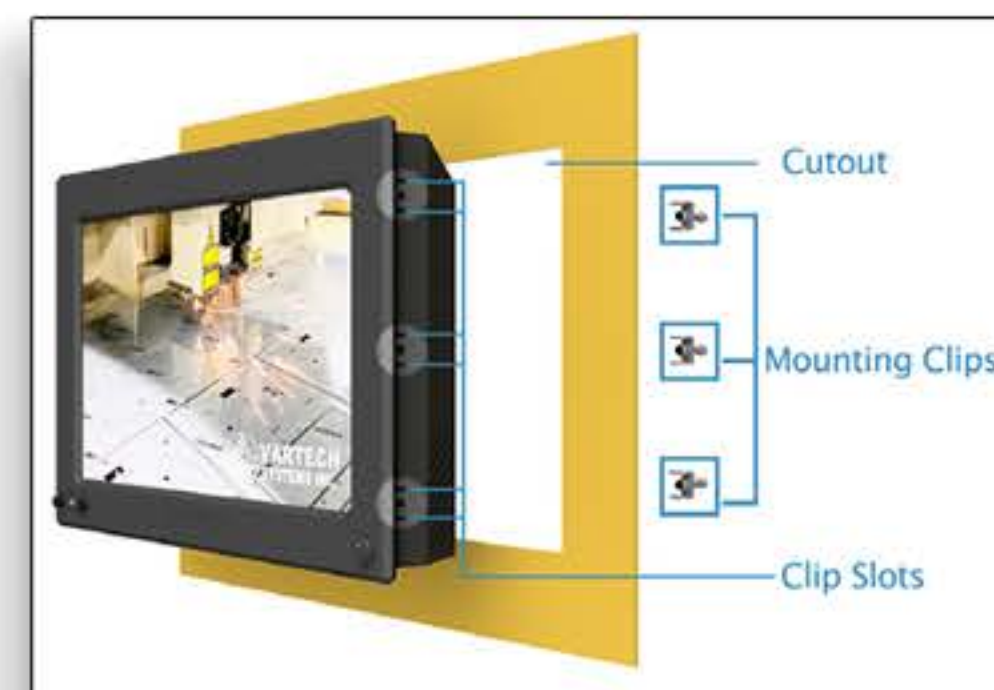
- Industrial-grade LED back-lit LCD.
- Power input: 90-264 VAC internal power supply
- Mounting configuration: panel with clips
- Touchscreen: resistive
- Operating temperature: -10° to 60° C
- Relative humidity: ≤ 90% to ≤ 95%
- Altitude: 10,000 ft MSL
- 2-year warranty

Configured with the Following	
Product:	DiamondVue / Gen 4
Mounting Style:	Clip Mount
Finish:	Black Powder Coated Aluminum
Display:	12.1" (4:3) 1024 x 768 (XGA) 400 Nits
Glass / Touchscreen:	Resistive
Computer Specs:	J1900 - SOC with 4GB of RAM and Operating System - Windows 10 64-bit 256GBSSD
Connector Type:	Standard Connectors
Power Input:	90-264 VAC
Input / Output:	2x LAN, 1x USB3.0, 3x USB 2.0, 1x VGA, 1x HDMI, 2x PS2, 2x RS-232/422/485, Audio /
Operating Temp:	-10°/+60°C (Fans)



Computer Features

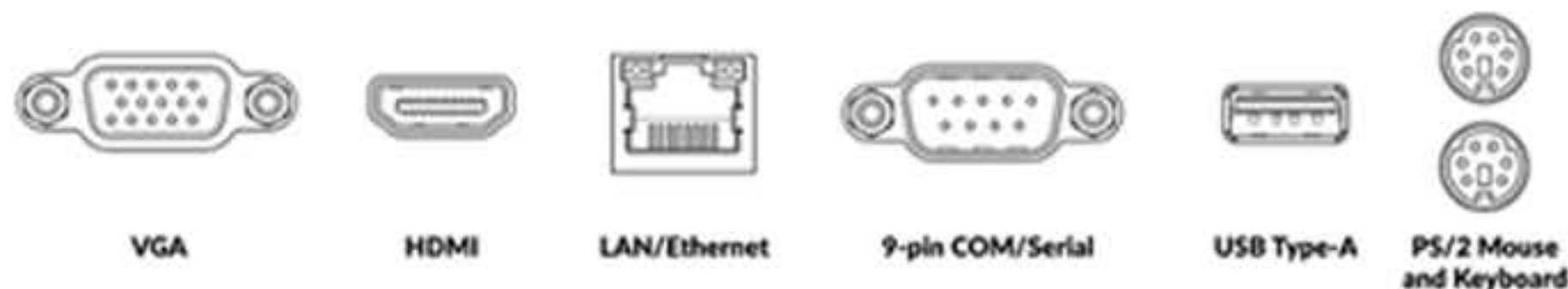
- Embedded computer
- Operating system: Windows 10 Professional 64-bit
- 2 x 10/100/1000 Mbps LAN
- 1 x front bezel USB (Type-A)



Specifications:

Size	Viewing Angle	Contrast	Power Consumption	Approx. Weight	Dimensions
12.1"	85°/85°/85°/85°	750:1	≈ 9 W	≈ 9.5 Lbs	13.38" x 11" x 3.75"

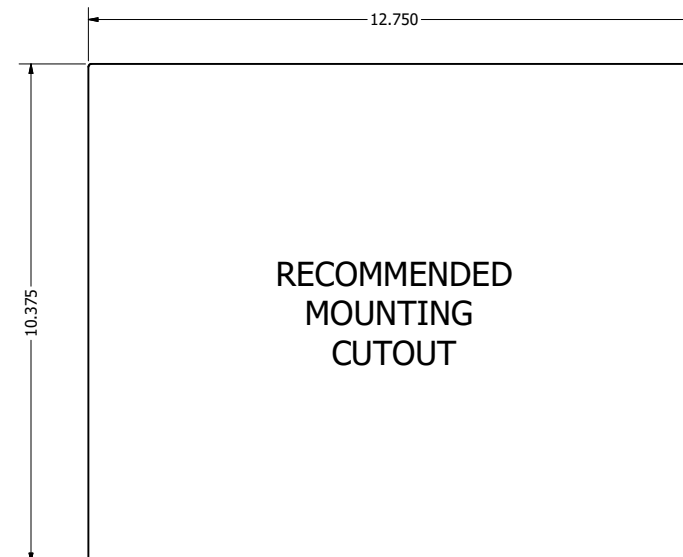
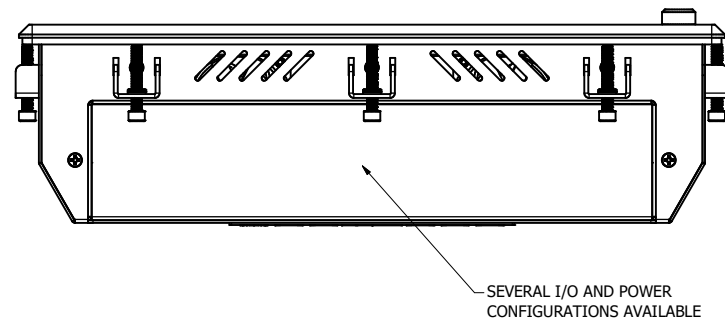
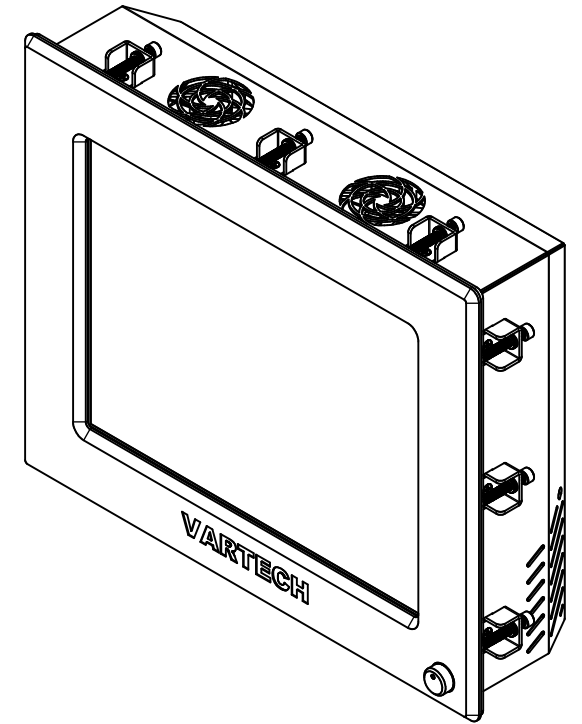
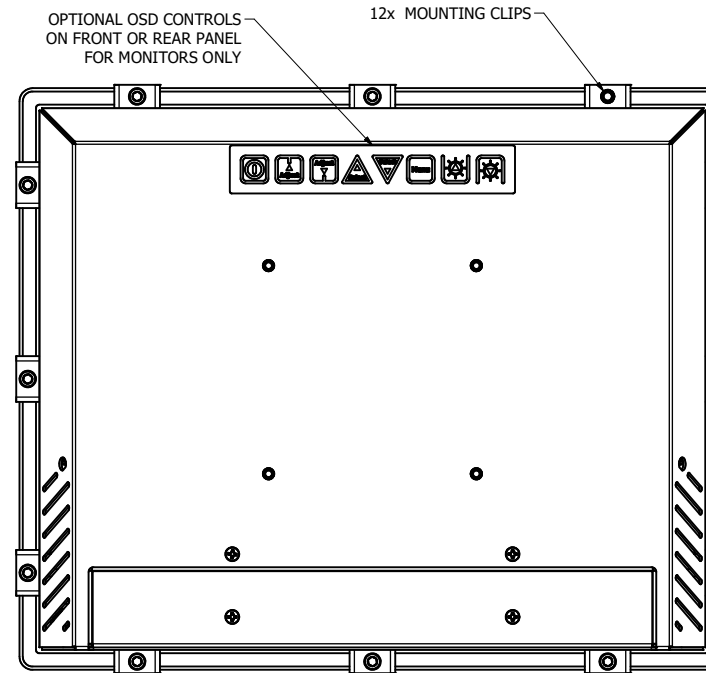
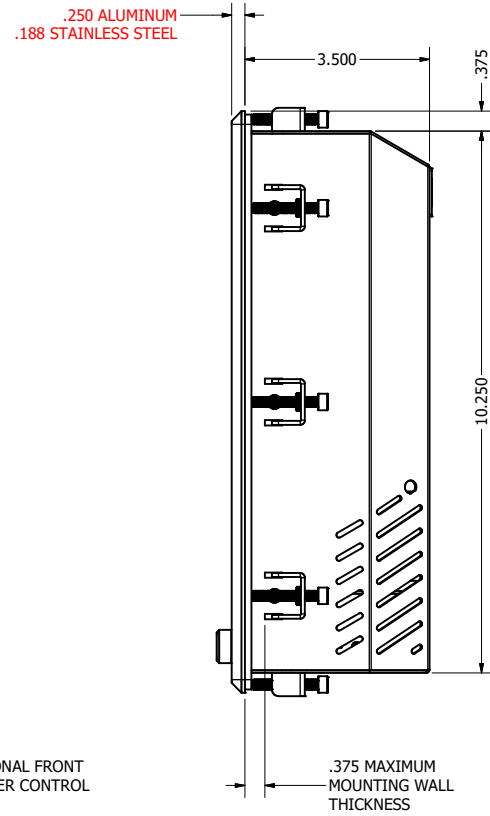
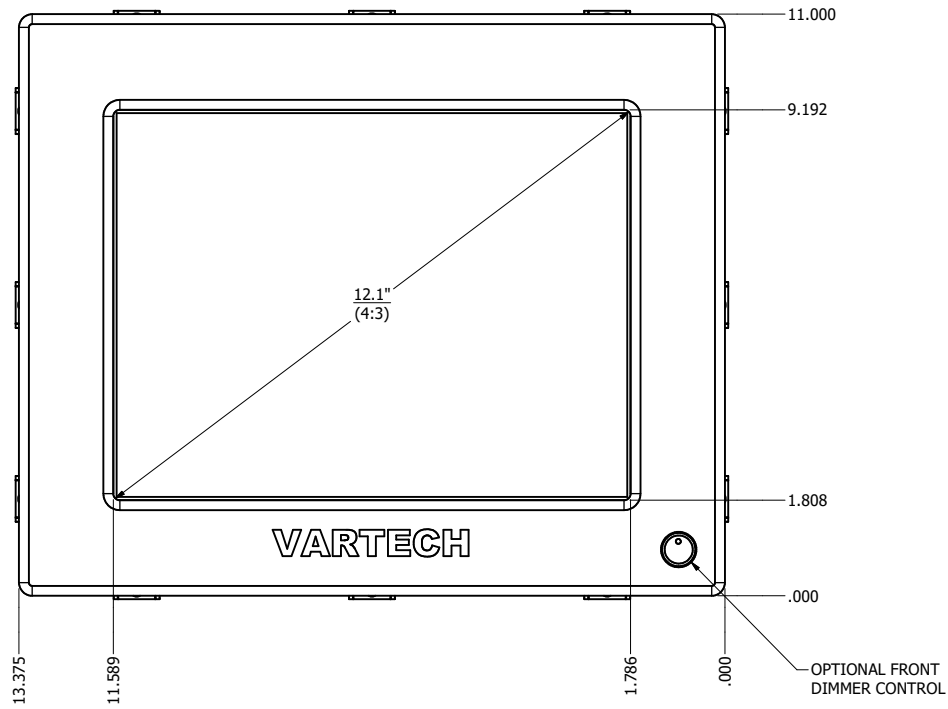
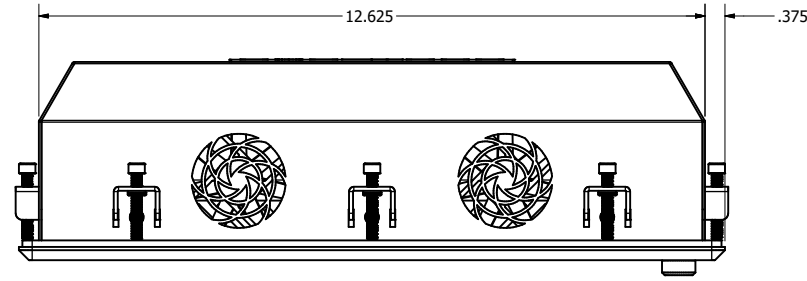
Standard I/O Connectors:



12.1" CLIP MOUNT (Monitor or Panel Computer)

PRELIMINARY DRAWING
DIMENSIONS ARE SUBJECT TO CHANGE

REVISION HISTORY			
REV	DATE	INITIALS	DESCRIPTION
00	11/27/19	MAW	INITIAL RELEASE



DRAWN BY:		USE WITH PRODUCT NUMBER		 VARTECH SYSTEMS INC.
MATERIAL & FINISH		TITLE		
TOLERANCES: .XX=-.01 .XXX=-.005		OUTLINE DRAWING DIAMONDVUE 4		
SHEET	SIZE	PART NUMBER	REV	
6 of 7	D	VTDV4#121aCP#	00	